



Operator's Manual

4-Cycle Gasoline Trimmer Y26SS

SAVE THESE INSTRUCTIONS

For service call **1-800-345-8746** in the United States, or **1-800-668-1238** in Canada to obtain a list of authorized service dealers near you. For more details about your unit, visit our website at www.mtdproducts.com.

DO NOT RETURN THE UNIT TO THE RETAILER. PROOF OF PURCHASE WILL BE REQUIRED FOR WARRANTY SERVICE.

THIS PRODUCT IS COVERED BY ONE OR MORE U.S. PATENTS. OTHER PATENTS PENDING.

Service on this unit both within and after the warranty period should be performed only by an authorized and approved service dealer.

SPARK ARRESTOR NOTE

NOTE: For users on U.S. Forest Land and in the states of California, Maine, Oregon and Washington. All U.S. Forest Land and the state of California (Public Resources Codes 4442 and 4443), Oregon and Washington require, by law that certain internal combustion engines operated on forest brush and/or grass-covered areas be equipped with a spark arrestor, maintained in effective working order, or the engine be constructed, equipped and maintained for the prevention of fire. Check with your state or local authorities for regulations pertaining to these requirements. Failure to follow these requirements could subject you to liability or a fine. **This unit is factory equipped with a spark arrestor.** If it requires replacement, ask your LOCAL SERVICE DEALER to install the **Accessory Part #753-05169 Spark Arrestor Kit.**

CALIFORNIA PROPOSITION 65 WARNING

	WARNING	
<p>THE ENGINE EXHAUST FROM THIS PRODUCT CONTAINS CHEMICALS KNOWN TO THE STATE OF CALIFORNIA TO CAUSE CANCER, BIRTH DEFECTS OR OTHER REPRODUCTIVE HARM.</p>		

All information, illustrations, and specifications in this manual are based on the latest product information available at the time of printing. We reserve the right to make changes at any time without notice.

Copyright© 2005 MTD SOUTHWEST INC, All Rights Reserved.



TABLE OF CONTENTS

Service Information	1
Rules for Safe Operation	2
Oil and Fuel Information	3
Assembly Instructions	4
Know Your Unit	4
Starting/Stopping Instructions	5
Operating Instructions	6
Maintenance and Repair Instructions	6
Cleaning and Storage	13
Troubleshooting Chart	14
Specifications	15
Warranty Information	17-18
Parts List	E17



WARNING: When using the unit, you must follow the safety rules. Please read these instructions before operating the unit in order to ensure the safety of the operator and any bystanders. Please keep these instructions for later use.

RULES FOR SAFE OPERATION

• IMPORTANT SAFETY INSTRUCTIONS •

READ ALL INSTRUCTIONS BEFORE OPERATING

- Read the instructions carefully. Be familiar with the controls and proper use of the unit.
- Do not operate this unit when tired, ill, or under the influence of alcohol, drugs, or medication.
- Children and teens under the age of 15 must not use the unit, except for teens guided by an adult.
- All guards and safety attachments must be installed properly before operating the unit.
- Inspect the unit before use. Replace damaged parts. Check for fuel leaks. Make sure all fasteners are in place and secure. Replace parts that are cracked, chipped, or damaged in any way. Do not operate the unit with loose or damaged parts.
- Carefully inspect the area before starting the unit. Remove all debris and hard or sharp objects such as glass, wire, etc.
- Be aware of the risk of injury to the head, hands and feet.
- Clear the area of children, bystanders, and pets. At a minimum, keep all children, bystanders, and pets outside a 50 feet (15 m.) radius; there still may be a risk to bystanders from thrown objects. Bystanders should be encouraged to wear eye protection. If you are approached, stop the unit immediately.
- Use only 0.080 inch, 2.03 mm diameter original equipment manufacturer replacement line. Never use metal-reinforced line, wire or rope. These can break off and become dangerous projectiles.
- Squeeze the throttle control and check that it returns automatically to the idle position. Make all adjustments or repairs before using unit.

SAFETY WARNINGS FOR GAS UNITS



WARNING: Gasoline is highly flammable, and its vapors can explode if ignited. Take the following precautions:

- Store fuel only in containers specifically designed and approved for the storage of such materials.
- Avoid creating a source of ignition for spilled fuel. Do not start the engine until fuel vapors dissipate.
- Always stop the engine and allow it to cool before filling the fuel tank. Never remove the fuel tank cap or add fuel when the engine is hot. Never operate the unit without the fuel cap securely in place. Loosen the fuel tank cap slowly to relieve any pressure in the tank.
- Add fuel in a clean, well-ventilated outdoor area where there are no sparks or flames. Remove the fuel cap slowly, and only after the engine stops. Do not smoke while fueling. Wipe up any spilled fuel from the unit immediately.
- Avoid creating a source of ignition for spilled fuel. Do not start the engine until fuel vapors dissipate.
- Move the unit at least 30 feet (9.1 m) from the fueling source and site before starting the engine. Do not smoke. Keep sparks and open flames away from the area while adding fuel or operating the unit.

WHILE OPERATING

- Never start or run the unit inside a closed room or building. Breathing exhaust fumes can be fatal. Operate this unit only in a well-ventilated outdoor area.
- Wear safety glasses or goggles that meet ANSI Z87.1 standards and are marked as such. Wear ear/hearing protection when operating this unit. Wear a face or dust mask if the operation is dusty.
- Wear heavy long pants, boots, gloves and a long sleeve

- shirt. Do not wear loose clothing, jewelry, short pants, sandals or go barefoot. Secure hair above shoulder level.
- The cutting attachment shield must always be in place while operating the unit as a trimmer. Do not operate unit without both trimming lines extended, and the proper line installed. Do not extend the trimming line beyond the length of the shield.
- This unit has a clutch. The cutting attachment remains stationary when the engine is idling. If it does not, have the unit adjusted by an authorized service technician.
- Adjust the handle to your size in order to provide the best grip.
- Be sure the cutting attachment is not in contact with anything before starting the unit.
- Use the unit only in daylight or good artificial light.
- Avoid accidental starting. Be in the starting position whenever pulling the starter rope. The operator and unit must be in a stable position while starting. Refer to *Starting/Stopping Instructions*.
- Use the right tool. Only use this tool for its intended purpose.
- Do not overreach. Always keep proper footing and balance.
- Always hold the unit with both hands when operating. Keep a firm grip on both handles or grips.
- Keep hands, face, and feet at a distance from all moving parts. Do not touch or try to stop the cutting attachment when it rotates.
- Do not touch the engine, gear housing or muffler. These parts get extremely hot from operation, even after the unit is turned off.
- Do not operate the engine faster than the speed needed to cut, trim or edge. Do not run the engine at high speed when not cutting.
- Always stop the engine when cutting is delayed or when walking from one cutting location to another.
- If you strike or become entangled with a foreign object, stop the engine immediately and check for damage. Do not operate before repairing damage. Do not operate the unit with loose or damaged parts.
- Stop the unit, switch the engine to off, and disconnect the spark plug for maintenance or repair.
- Use only original equipment manufacturer replacement parts and accessories for this unit. These are available from your authorized service dealer. Use of any unauthorized parts or accessories could lead to serious injury to the user, or damage to the unit, and void your warranty.
- Keep unit clean of vegetation and other materials. They may become lodged between the cutting attachment and shield.
- To reduce fire hazard, replace a faulty muffler and spark arrestor. Keep the engine and muffler free from grass, leaves, excessive grease or carbon build up.

OTHER SAFETY WARNINGS

- Never store a fueled unit inside a building where fumes may reach an open flame or spark.
- Allow the engine to cool before storing or transporting. Be sure to secure the unit while transporting.
- Store the unit in a dry area, locked up or up high to prevent unauthorized use or damage, out of the reach of children.
- Never douse or squirt the unit with water or any other liquid. Keep handles dry, clean and free from debris. Clean after each use, see *Cleaning and Storage* instructions.
- Keep these instructions. Refer to them often and use them to instruct other users. If you loan someone this unit, also loan them these instructions.

SAVE THESE INSTRUCTIONS

RULES FOR SAFE OPERATION


SAFETY AND INTERNATIONAL SYMBOLS

This operator's manual describes safety and international symbols and pictographs that may appear on this product. Read the operator's manual for complete safety, assembly, operating and maintenance and repair information.

SYMBOL	MEANING
	<ul style="list-style-type: none"> • SAFETY ALERT SYMBOL <p>Indicates danger, warning or caution. May be used in conjunction with other symbols or pictographs.</p>
	<ul style="list-style-type: none"> • WARNING - READ OPERATOR'S MANUAL <p>Read the operator's manual(s) and follow all warnings and safety instructions. Failure to do so can result in serious injury to the operator and/or bystanders.</p>
	<ul style="list-style-type: none"> • WEAR EYE AND HEARING PROTECTION <p>WARNING: Thrown objects and loud noise can cause severe eye injury and hearing loss. Wear eye protection meeting ANSI Z87.1 standards and ear protection when operating this unit. Use a full face shield when needed.</p>
	<ul style="list-style-type: none"> • HOT SURFACE WARNING <p>Do not touch a hot muffler, gear housing or cylinder. You may get burned. These parts get extremely hot from operation. They remain hot for a short time after the unit is turned off.</p>
	<ul style="list-style-type: none"> • UNLEADED FUEL <p>Always use clean, fresh unleaded fuel</p>
	<ul style="list-style-type: none"> • OIL <p>Refer to operator's manual for the proper type of oil.</p>

SYMBOL	MEANING
	<ul style="list-style-type: none"> • ON/OFF STOP CONTROL <p>ON / START / RUN</p>
	<ul style="list-style-type: none"> • ON/OFF STOP CONTROL <p>OFF or STOP</p>
	<ul style="list-style-type: none"> • KEEP BYSTANDERS AWAY <p>WARNING: Keep all bystanders, especially children and pets, at least 50 feet (15 m) from the operating area.</p>
	<ul style="list-style-type: none"> • CHOKE CONTROL <ol style="list-style-type: none"> 1. • FULL choke position 2. • PARTIAL choke position 3. • RUN choke position
	<ul style="list-style-type: none"> • THROWN OBJECTS AND ROTATING CUTTER CAN CAUSE SEVERE INJURY <p>WARNING: Do not operate without the cutting attachment shield in place. Keep away from the rotating cutting attachment.</p>
	<ul style="list-style-type: none"> • SHARP BLADE <p>WARNING: Sharp blade on cutting attachment shield. To prevent serious injury, do not touch the line cutting blade.</p>

OIL AND FUEL INFORMATION



WARNING: OVERFILLING OIL CRANKCASE MAY CAUSE SERIOUS PERSONAL INJURY. Check and maintain the proper oil level in the crank case; it is important and cannot be overemphasized. Check the oil before each use and change it as needed. See *Changing the Oil*.

RECOMMENDED OIL TYPE

Using the proper type and weight of oil in the crankcase is extremely important. Check the oil before each use and change the oil regularly. Failure to use the correct oil, or using dirty oil, can cause premature engine wear and failure.

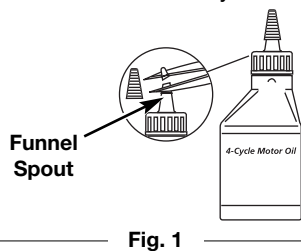
Use a high-quality SAE 30 weight oil of API (American Petroleum Institute) service class SF, SG, SH.

ADDING OIL TO CRANKCASE: INITIAL USE

NOTE: This unit is shipped without oil. In order to avoid damage to the unit, put oil in the crankcase before you attempt to start the unit.

Your unit is supplied with one 3.04 fluid oz. (90 ml.) bottle of SAE 30 SF, SG, SH oil (Fig. 1).

NOTE: Save the bottle of oil. It can be used to measure the correct amount during future oil changes. See *Changing the Oil*.



1. Unscrew the top of the bottle of oil and remove the paper

seal covering the opening. Replace the top. Next, cut the tip off the funnel spout (Fig. 1).

2. Place the unit on a flat level surface (Fig. 2).
3. Remove the dipstick from the crankcase (Fig. 3).
4. Pour the entire bottle of oil into the oil fill hole (Fig. 3).

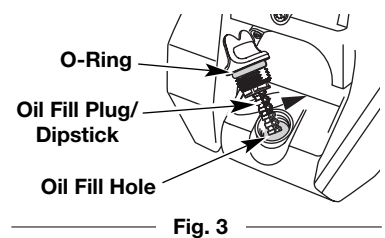
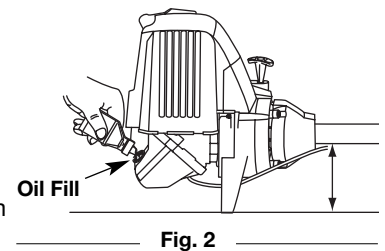
- NOTE:** Never add oil to the fuel or fuel tank.
5. Wipe up any oil that may have spilled and reinstall the oil fill plug/dipstick.

Check oil before each use and change as needed. Refer to *Checking the Oil Level*.

RECOMMENDED FUEL TYPE

Old fuel is the primary reason for improper unit performance. Be sure to use fresh, clean, unleaded gasoline.

NOTE: This is a four cycle engine. In order to avoid damage to the unit, **do not mix oil with gasoline.**



OIL AND FUEL INFORMATION

Definition of Blended Fuels

Today's fuels are often a blend of gasoline and oxygenates such as ethanol, methanol or MTBE (ether). Alcohol-blended fuel absorbs water. As little as 1% water in the fuel can make fuel and oil separate or form acids when stored. Use fresh fuel (less than 60 days old), when using alcohol-blended fuel.

Using Blended Fuels

If you choose to use a blended fuel, or its use is unavoidable, follow recommended precautions:

- Always use fresh unleaded gasoline
- Use the fuel additive STA-BIL® or an equivalent
- Drain tank and run the engine dry before storing unit

Using Fuel Additives

The use of fuel additives, such as STA-BIL® Gas Stabilizer or an equivalent, will inhibit corrosion and minimize the formation of gum deposits. Using a fuel additive can keep fuel from forming harmful deposits in the carburetor for up to six (6) months. Add 0.8 oz. (23 ml.) of fuel additive per gallon of fuel according to the instructions on the container. NEVER add fuel additives directly to the unit's gas tank.



WARNING: Add fuel in a clean, well ventilated outdoor area. Wipe up any spilled fuel immediately. Avoid creating a source of ignition for spilt fuel. Do not start the engine until fuel vapors dissipate.



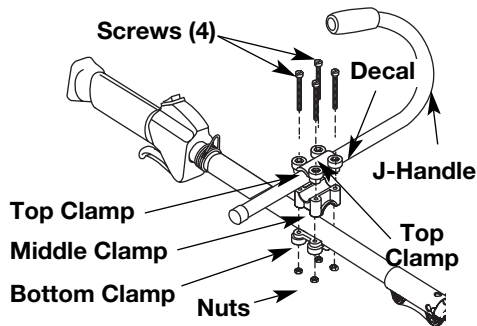
WARNING: Gasoline is extremely flammable. Ignited vapors may explode. Always stop the engine and allow it to cool before filling the fuel tank. Do not smoke while filling the tank. Keep sparks and open flames at a distance from the area.

ASSEMBLY INSTRUCTIONS

INSTALL AND ADJUST THE J-HANDLE

The Y26SS is equipped with a J-handle.

1. Place the J-handle between the top and middle clamp pieces (Fig. 5).
2. While holding the 3 pieces together, install the 4 screws through the top clamp and into middle clamp.



NOTE: The holes in the top and middle clamp will line up only when assembled correctly.

3. Place the clamps and the J-handle over the shaft housing and onto the bottom clamp.
4. Hold each hex nut in the bottom clamp recess with a finger. Start screws with a large Phillips screwdriver. Do not tighten until you make the handle adjustment.
5. Slide the J-handle in or out until the arrow/white line on the decal touches the clamp assembly (Fig. 5). You must first loosen the screws if the handle is pre-installed.
6. While holding the unit in the operating position (Fig. 14), position the J-handle to the location that provides you the best grip.
7. Tighten the clamp screws evenly until tight.

FUELING THE UNIT

1. Remove the fuel cap (Fig. 4).



WARNING: Remove fuel cap slowly to avoid injury from fuel spray. Never operate the unit without the fuel cap securely in place.

2. Place the gas container's spout into the fill hole on the fuel tank (Fig. 4) and fill the tank.

NOTE: Do not overfill the tank.

3. Wipe up any gasoline that may have spilled.
4. Reinstall the fuel cap.

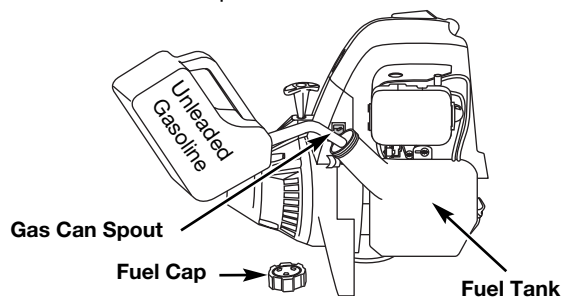
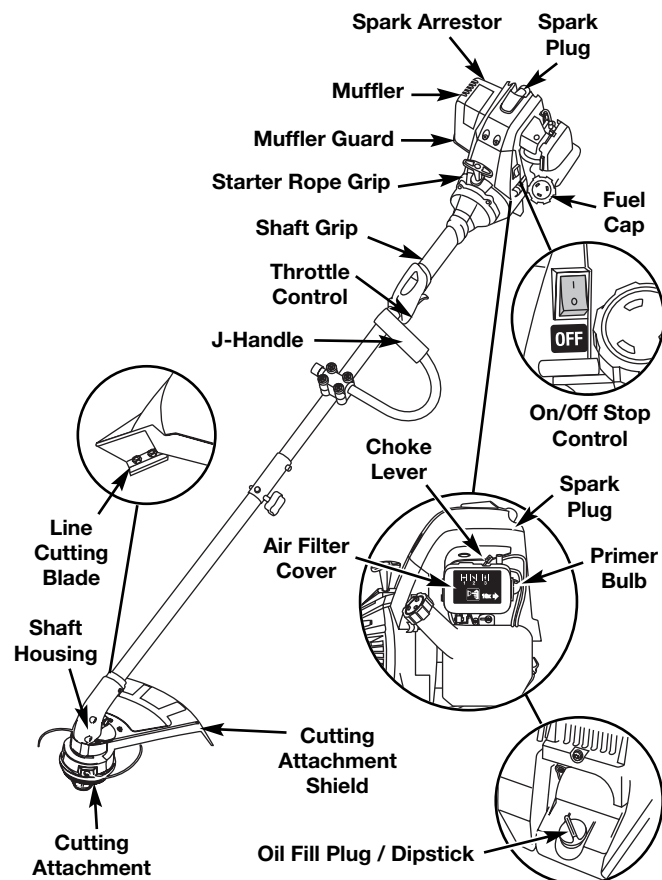


Fig. 4

5. Move the unit at least 30 ft. (9.1 m) from the fueling source and site before starting the engine.

NOTE: Dispose of the old gasoline in accordance to Federal, State and Local regulations.

KNOW YOUR UNIT



STARTING/STOPPING INSTRUCTIONS



WARNING: Operate this unit only in a well-ventilated outdoor area. Carbon monoxide exhaust fumes can be lethal in a confined area.



WARNING: Avoid accidental starting. Make sure you are in the starting position when pulling the starter rope (Fig. 8). To avoid serious injury, the operator and unit must be in a stable position while starting.

To avoid serious personal injury, ensure any Add-On being used is installed correctly and secure before starting the unit.

STARTING INSTRUCTIONS

1. Check the oil level in the crankcase. Refer to *Checking the Oil Level*.
2. Fill the fuel tank with fresh, clean unleaded gasoline. Refer to *Fueling the Unit*.
3. Make sure the On/Off Stop Control in the ON (I) position (Fig. 6).
4. Fully press and release the primer bulb 10 times, slowly. Some amount of **fuel should be visible in the primer bulb** and fuel lines (Fig. 7). If you can't see fuel in the bulb, press and release the bulb as many times as it takes before you can see fuel in it.
5. Place the choke lever in **Position 1** (Fig. 7).
6. Crouch in the starting position (Fig. 8) and squeeze the throttle control. Pull the starter rope briskly 5 times.
7. Place the choke lever in **Position 2** (Fig. 9).
8. While squeezing the throttle control, pull the starter rope briskly 1 to 3 times to start the engine.
9. Keep the throttle squeezed and allow the engine to warm up for 15 to 30 seconds.
10. Place the choke lever in **Position 3** (Fig. 10). The unit is ready for use.

IF... The engine does not start, go back to step 4.

IF... The engine fails to start after a few attempts, place the choke lever in **Position 3** and squeeze the throttle control. Pull the starter rope briskly 3 to 8 times. The engine should start. If not, repeat.

IF WARM... If the engine is already warm, make sure the On/Off Stop control is in the ON position and start the unit with the choke lever in **Position 2**. After the unit starts, move the choke lever to **Position 3**.

STOPPING INSTRUCTIONS

1. Release your hand from the throttle control. Allow the engine to cool down by idling.
2. Put the On/Off Stop Control in the OFF (O) position.

APPLICATIONS

As a trimmer:

- Cutting grass and light weeds
- Edging
- Decorative trimming around trees, fences, etc.

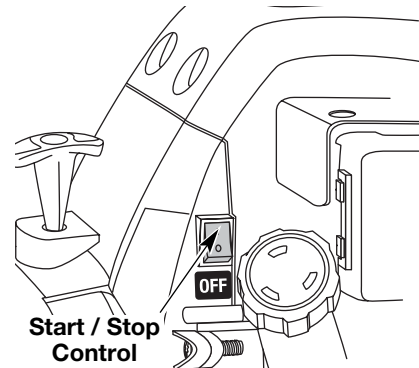


Fig. 6

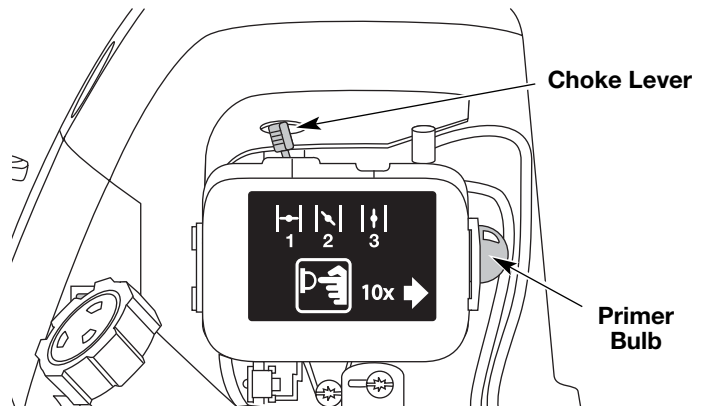


Fig. 7

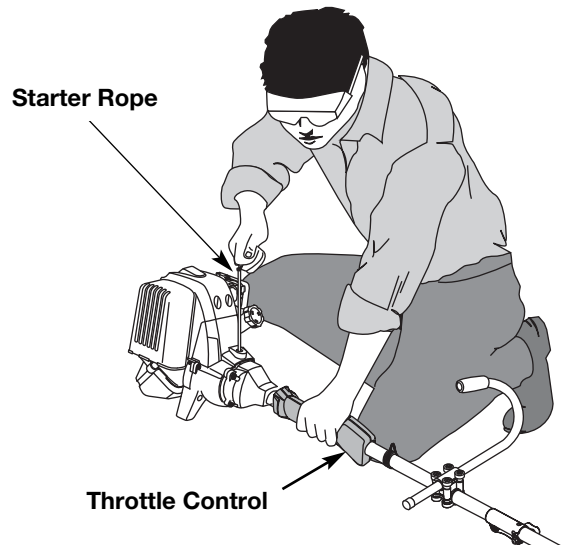


Fig. 8

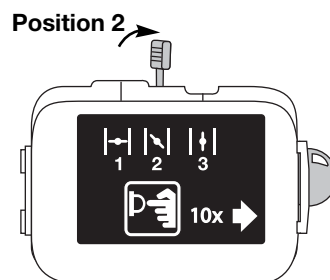


Fig. 9

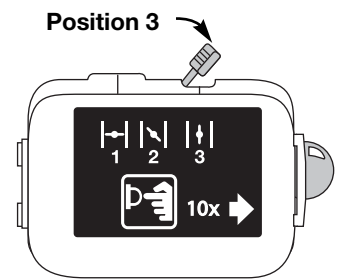


Fig. 10

OPERATING INSTRUCTIONS

OPERATING THE EZ-LINK™ SYSTEM

The EZ-Link™ system enables the use of these optional Add-Ons:

Blower/Vacuum	BV720r
Cultivator	GC720r
Edger	LE720r
Hedge Trimmer	HS720r
Snow Thrower	ST720r
Straight Shaft Trimmer	SS725r
Tree Pruner	TP720r
Turbo Blower	TB720r

WARNING: Prior to operation, read and understand the operator's manual for the add-on to be used with this unit.

WARNING: To avoid serious personal injury and damage to the unit, shut the unit off before removing or installing add-ons.

Removing the Cutting Attachment or Add-On

1. Turn the knob counterclockwise to loosen (Fig. 11).
2. Press and hold the release button (Fig. 11).

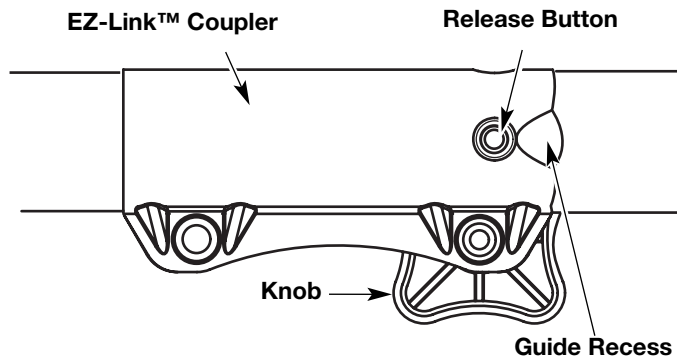


Fig. 11

3. While firmly holding the upper shaft housing, pull the cutting attachment or add-on straight out of the EZ-Link™ coupler (Fig. 12).

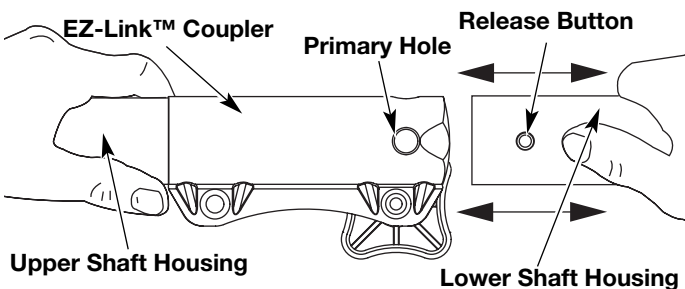


Fig. 12

Installing the Cutting Attachment or Add-On

NOTE: Place the unit on the ground or on a work bench to make add-on installation or removal easier.

1. Turn knob counterclockwise to loosen (Fig. 11).
2. While firmly holding the add-on, push it straight into the EZ-Link™ coupler (Fig. 12).

NOTE: Aligning the release button with the guide recess will help installation (Fig. 11).

3. Turn the knob clockwise to tighten (Fig. 13).

CAUTION: Lock the release button in the primary hole (Fig. 12) and securely tighten the knob before operating this unit.

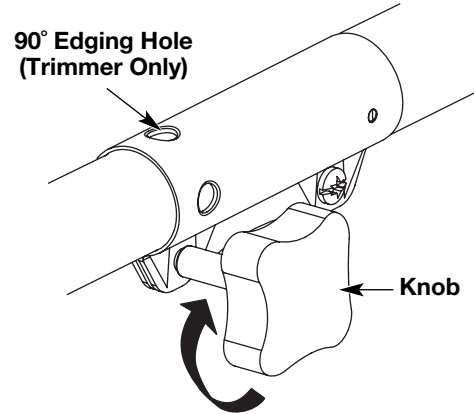


Fig. 13

CAUTION: The add-ons with the coupler system is to be used in the primary hole only. Using the wrong hole could lead to personal injury or damage to the unit.

For edging (when using the line head cutting attachment with EZ-Link™ models), lock the release button of the cutting attachment into the **90° edging hole** (Fig. 13).

HOLDING THE TRIMMER

WARNING: Always wear eye, hearing, foot and body protection to reduce the risk of injury when operating this unit.

Before operating the unit, stand in the operating position (Fig. 14). Check for the following:

- The operator is wearing eye protection and proper clothing
- With a slightly-bent right arm, the operator's right hand is holding the shaft grip
- The operator's left arm is straight, the left hand holding the assist handle
- The unit is at waist level
- The cutting attachment is parallel to the ground and easily contacts the grass without the need to bend over

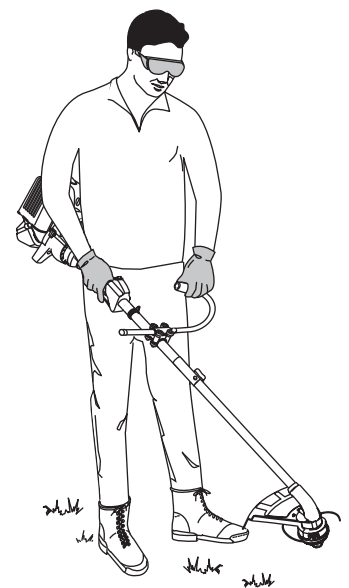


Fig. 14

OPERATING INSTRUCTIONS

ADJUSTING TRIMMING LINE LENGTH



WARNING: Do not remove or alter the line cutting blade assembly. Excessive line length will make the clutch overheat. This may lead to serious personal injury or damage to the unit.

The Bump Head™ cutting attachment allows you to release trimming line without stopping the engine. To release more line, lightly tap the cutting attachment on the ground (Fig. 15) while operating the trimmer at high speed.

NOTE: Always keep the trimming line fully extended. Line release becomes more difficult as the cutting line becomes shorter.

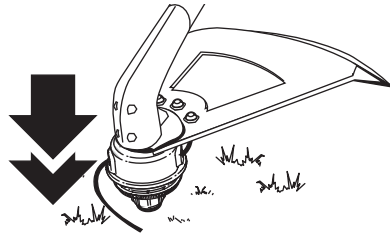


Fig. 15

Each time the head is bumped, about 1 inch (25.4 mm) of trimming line is released. A blade in the cutting attachment shield will cut the line to the proper length if excess line is released.

For best results, tap the Bump Head™ on bare ground or hard soil. If line release is attempted in tall grass, the engine may stall. Always keep the trimming line fully extended. Line release becomes more difficult as the cutting line becomes shorter.

NOTE: Do not rest the Bump Head™ on the ground while the unit is running.

Some line breakage will occur from:

- Entanglement with foreign matter
- Normal line fatigue
- Attempting to cut thick, stalky weeds
- Forcing the line into objects such as walls or fence posts

TIPS FOR BEST TRIMMING RESULTS

- For best trimming results, operate unit at full throttle.
- Keep the cutting attachment parallel to the ground.
- Do not force the cutting attachment. Allow the tip of the line to do the cutting, especially along walls. Cutting with more than the tip will reduce cutting efficiency and may overload the engine.
- Cut grass over 8 inches (200 mm) by working from top to bottom in small increments to avoid premature line wear or engine drag.
- Cutting from right to left improves the unit's cutting efficiency. Clippings are thrown away from the operator.
- Slowly move the trimmer into and out of the cutting area at the desired height. Move either in a forward-backward or side-to-side motion. Cutting shorter lengths produces the best results.
- Trim only when grass and weeds are dry.
- The life of your cutting line is dependent upon proper adherence of explained trimming techniques, what vegetation is cut, and where vegetation is cut.

For example, the line will wear faster when trimming against a foundation wall as opposed to trimming around a tree.

DECORATIVE TRIMMING

Decorative trimming is accomplished by removing all vegetation around trees, posts, fences and more.

Rotate the whole unit so that the cutting attachment is at a 30° angle to the ground (Fig. 16).

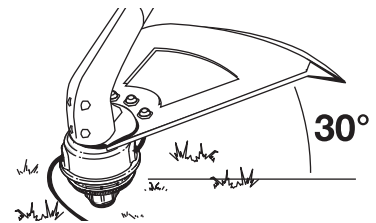


Fig. 16

MAINTENANCE AND REPAIR INSTRUCTIONS

MAINTENANCE SCHEDULE

Perform these required maintenance procedures at the frequency stated in the table. These procedures should also be a part of any seasonal tune-up.

NOTE: Some maintenance procedures may require special tools or skills. If you are unsure about these procedures take your unit to any non-road engine repair establishment, individual or authorized service dealer.

NOTE: Maintenance, replacement, or repair of the emission control devices and system may be performed by any non-road engine repair establishment, individual or authorized service dealer.



WARNING: To prevent serious injury, never perform maintenance or repairs with unit running. Always service and repair a cool unit. Disconnect the spark plug wire to ensure that the unit cannot start.

FREQUENCY	MAINTENANCE REQUIRED	SEE
Before starting engine	Fill fuel tank with fresh fuel Check oil	p. 4 p. 9
Every 10 hours	Clean and re-oil air filter	p. 10
1st change at 10 hours 2nd change at 25 hours Every 25 hours thereafter	Change oil Change oil Clean spark arrestor	p. 10 p. 10 p. 13
10 hours on new engine Every 25 hours Every 25 hours	Check rocker arm to valve clearance and adjust Check rocker arm to valve clearance and adjust Check spark plug condition and gap	p. 11 p. 11 p. 12

MAINTENANCE AND REPAIR INSTRUCTIONS

SPEEDSPOOL®

WARNING : Never use metal-reinforced line, wire, chain or rope. These can break off and become dangerous projectiles.

Always use original equipment manufacturer™ 0.080 inch (2.03 mm) replacement line. Lines other than those specified may make the engine overheat or fail.

There are two methods to replace the SpeedSpool® trimming line:

- Wind the inner reel with new line
- Install a pre-wound inner reel

Winding the Inner Reel With New Line

NOTE: It is unnecessary to remove the bump knob to install a new trimming line.

1. Cut two pieces of 0.080 inch (2.03 mm) trimming line, 10 feet (3 m) long.

WARNING: Always use the correct line length when installing trimming line on the unit. The line may not release properly if the line is too long.

2. Hold the outer spool and turn the inner reel counterclockwise to line up the arrows on the outer spool and inner reel (Fig. 17).

Top View Of The SpeedSpool®

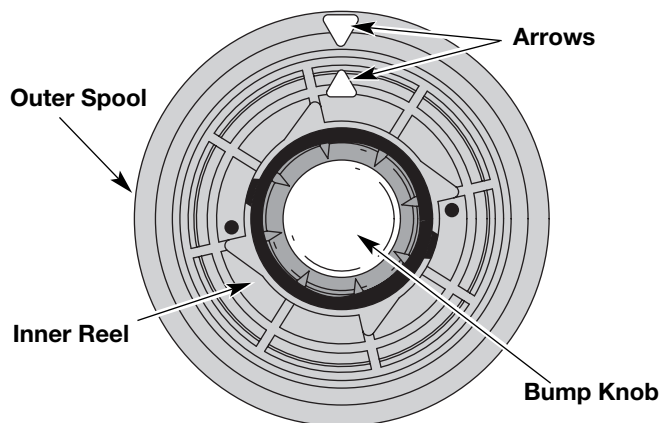


Fig. 17

3. Pull old line out of the line loading and line locking holes (Fig. 18 and 19)

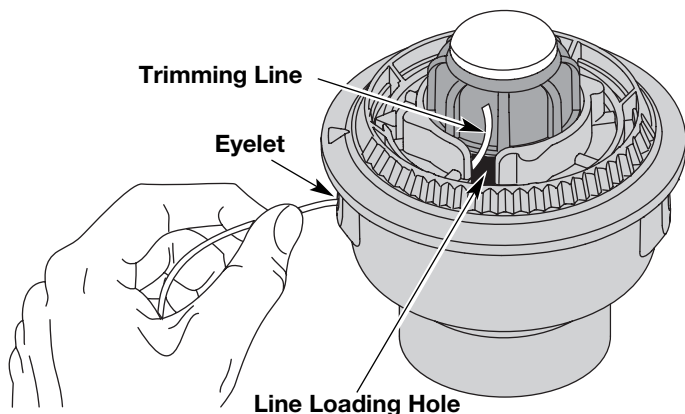


Fig. 18

4. Insert a piece of trimming line straight into one of the two eyelets in the outer spool. Push it up through the line

loading hole in the inner reel (Fig. 18). Do not bend the line when inserting it into the eyelet.

5. Insert the line into the locking hole (Fig. 19). Do not push the line more than a 1/2 inch (12.7 mm) into the line locking hole.

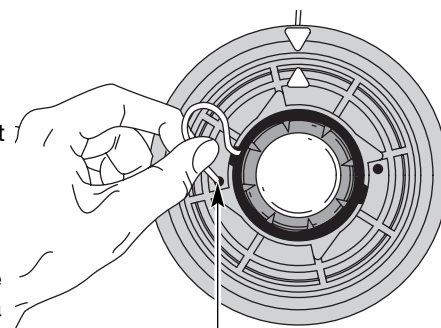


Fig. 19

- The line will form a small loop (Fig. 19) when it is inserted correctly.
6. Pull the line from the outer spool until the line is tight against the inner reel (Fig. 20).

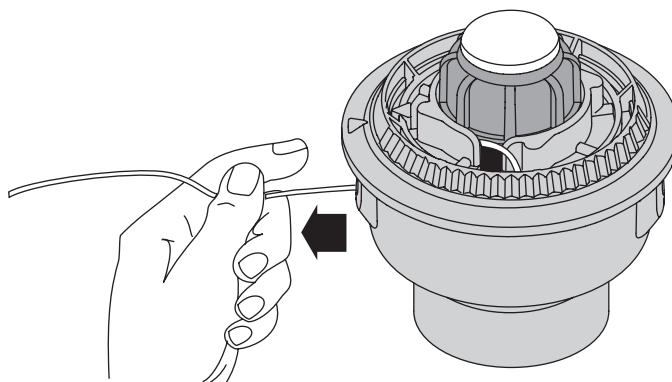


Fig. 20

7. Repeat procedures 4-6 with the second piece of line.
8. Hold the outer spool. Wind the inner reel counterclockwise until approximately 4 inches (102 mm) of line remain (Fig. 21).

NOTE: Do not wind the inner reel before installing the second piece of line.

9. If winding the line becomes difficult or if the line jams, pull the ends of the line from the spool (Fig. 22). Continue winding the inner reel counterclockwise.

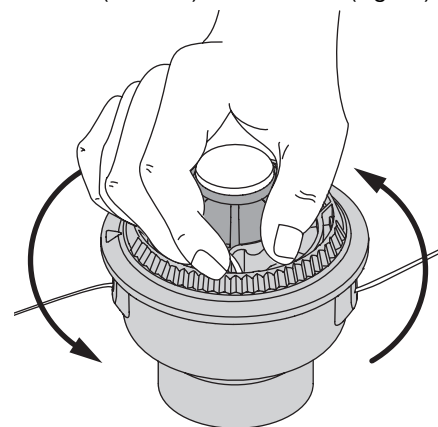


Fig. 21

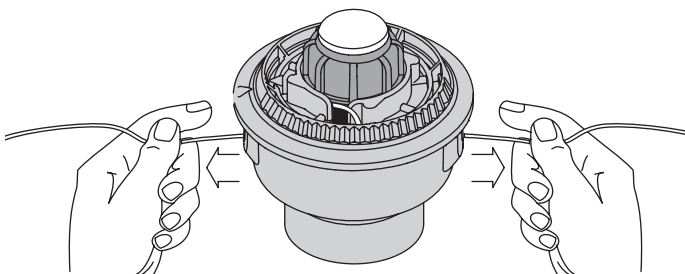


Fig. 22

MAINTENANCE AND REPAIR INSTRUCTIONS

INSTALLING A PRE-WOUND REEL

1. Turn the bump knob counterclockwise and remove the bump knob, spring and foam seal (Fig. 23).
2. Pull the old inner reel with existing line from the outer spool.
3. Insert the ends of the prewound inner reel line into the outer spool eyelets (Fig. 24). Push the new inner reel, arrow side up, into the outer spool.
4. Hold the inner reel in place and install the bump knob, spring and foam seal. Press down and turn the bump knob clockwise. Grasp the ends and pull firmly to release the line from the holding slots in the inner reel (Fig. 23).

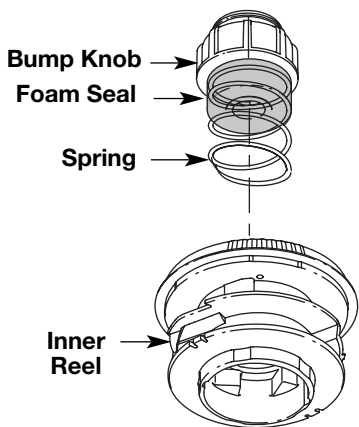


Fig. 23

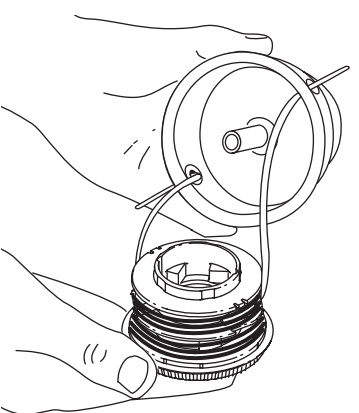


Fig. 24

Releasing the Inner Reel

If the SpeedSpool® does not release line correctly, pull the ends of the line firmly from the spool (Fig. 22). If this does not release the line, follow the *Cleaning the SpeedSpool®* instructions.

CLEANING THE SPEEDSPOOL®

Cleaning the SpeedSpool® may be necessary if:

- A jammed or excessive line must be removed
- The SpeedSpool® becomes difficult to wind or does not operate correctly when bumping the head on the ground

1. Hold the outer spool, and unscrew the bump knob counterclockwise (Fig. 25).
2. Pull out the bump knob, spring and foam seal (Fig. 23).
3. Pull the inner reel with existing line from the outer spool (Fig. 24).
4. Remove any existing line from the inner reel before cleaning. Remove any debris or grass from the knob, spring, inner reel and foam seal. Wash the inner reel with warm soapy water (Fig. 26).

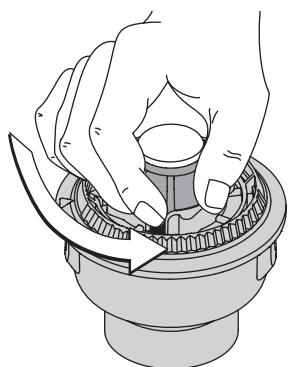


Fig. 25

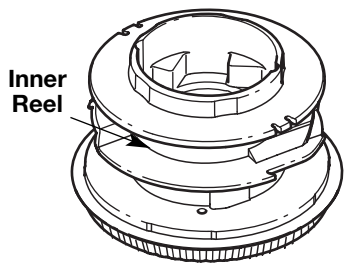


Fig. 26

press down on the plunger (Fig. 27). Remove any dirt or debris from the shaft.

NOTE: The inner reel must be totally dry before reinstalling it into the outer spool. Do not lubricate the inner reel or outer spool assembly.

6. Place the inner reel into the outer spool.
7. Place the bump knob, spring and foam seal into the inner reel (Fig. 23).
8. Press the bump knob down and tighten clockwise.
9. Install new line as described in *Line Installation for the SpeedSpool®*.

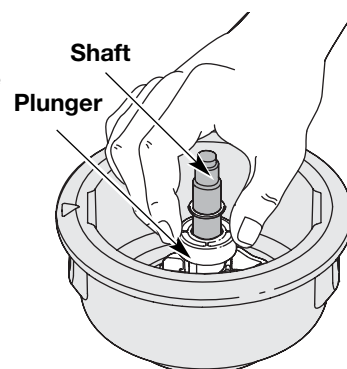


Fig. 27

CHECKING THE OIL LEVEL



CAUTION: To prevent extensive engine wear and damage to the unit, always maintain the proper oil level in the crankcase. Never operate the unit with the oil level below the bottom of the dipstick.

The importance of checking and maintaining the proper oil level in the crankcase cannot be overemphasized. Check oil before each use:

1. Stop the engine and allow oil to drain into the crankcase.
2. Place the unit on a flat, level surface to get a proper oil level reading (Fig. 2).
3. Keep dirt, grass clippings and other debris out of the engine. Clean the area around the dipstick before removing it.
4. Remove the oil fill plug/dipstick and wipe off oil. Reinsert it all the way back in.

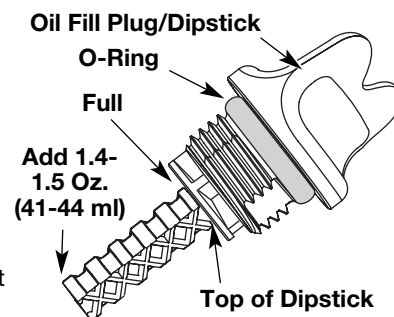


Fig. 28

5. Remove the oil fill plug/dipstick and check the oil level. Oil should be up to the top of the dipstick (Fig. 28).
6. If the level is low, add a small amount of oil to the oil fill hole and recheck (Fig. 29). Repeat this procedure until the oil level reaches the top of the dipstick.

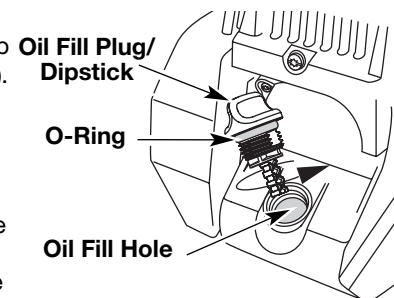


Fig. 29

NOTE: Do not overfill the unit.

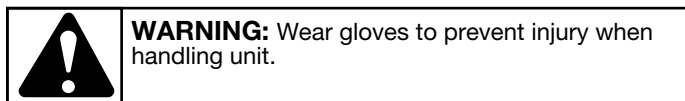
NOTE: Make sure the O-ring is in place on the oil fill plug/dipstick when checking and changing the oil (Fig. 29).

MAINTENANCE AND REPAIR INSTRUCTIONS

CHANGING THE OIL

For a new engine, change the oil after the first 10 hours of operation. Change the oil while the engine is still warm. The oil will flow freely and carry away more impurities.

1. Unplug spark plug boot to prevent accidental starting.



2. Remove the oil fill plug/dipstick.

3. Pour the oil out of the oil fill hole and into a container by tipping the unit to a vertical position (Fig. 30). Allow ample time for complete drainage.

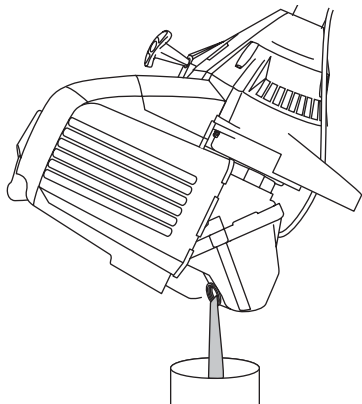


Fig. 30

4. Wipe up any oil residue on the unit and clean up any oil that may have spilled. Dispose of the oil according to Federal, State and local regulations.

5. Refill the crankcase with 3.04 fluid ounce (90 ml) of SAE 30 SF, SG, SH oil.

NOTE: Use the bottle and spout saved from initial use to measure the correct amount of oil. The top of the label on the bottle measures approximately 3.04 ounces (90 ml) (Fig. 31). Check the level with the dipstick. If the level is low, add a small amount of oil and recheck. Do not overfill (Fig. 31).

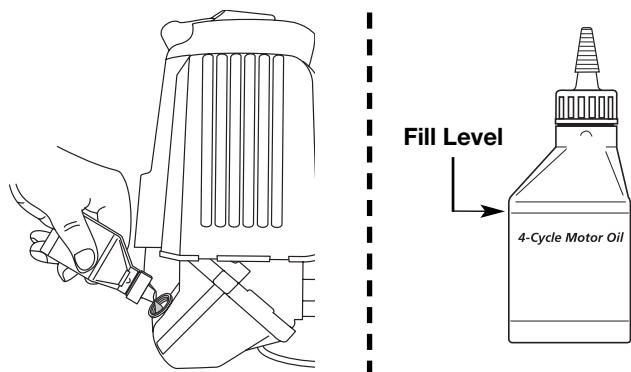
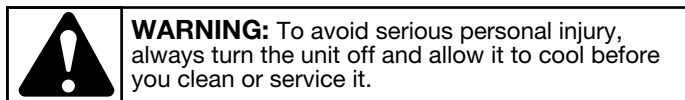


Fig. 31

6. Replace the oil fill plug/dipstick.
7. Reconnect the spark plug boot.

AIR FILTER MAINTENANCE



Cleaning the Air Filter

Clean and re-oil the air filter every 10 hours of operation. It is an important item to maintain. Failure to maintain your air filter properly can result in poor performance or can cause permanent damage to your engine.

1. Open the air filter cover. Push the tab on the right side of the cover inward. Then pull the air filter cover out and to the left (Fig. 32).

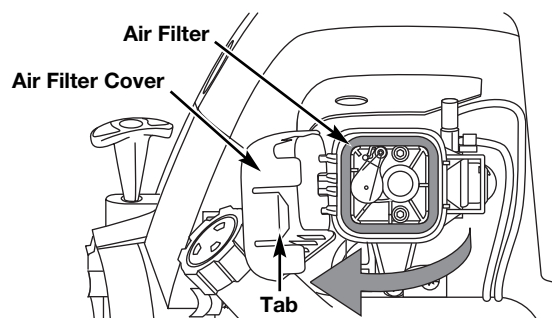


Fig. 32

NOTE: It may be necessary to remove the fuel cap to completely remove the air filter cover.

2. Remove the air filter (Fig. 32).
3. Wash the filter in detergent and water (Fig. 33). Rinse the filter thoroughly and allow it to dry.
4. Apply enough clean SAE 30 motor oil to lightly coat the filter (Fig. 34).
5. Squeeze the filter to spread and remove excess oil (Fig. 35).

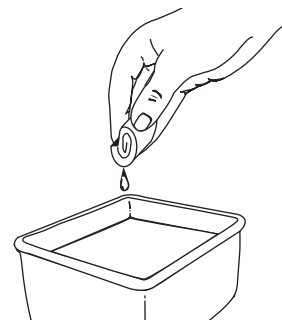


Fig. 33

5. Squeeze the filter to spread and remove excess oil (Fig. 35).

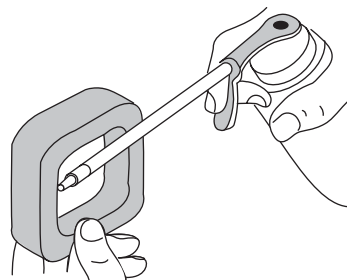


Fig. 34

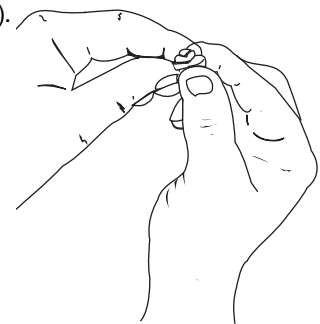


Fig. 35

6. Replace the filter (Fig. 36).

NOTE: If the unit is operated without the air filter, you will **VOID** the warranty.

7. Reinstall the air filter cover. Position the hooks on the left side of the air filter cover into the slots at the left side of the back plate (Fig. 36).

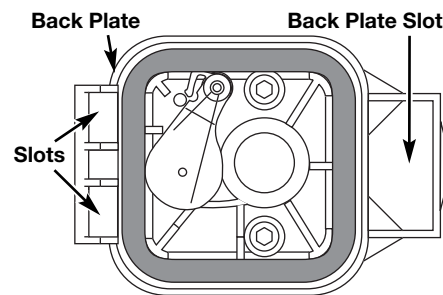


Fig. 36

NOTE: It may be necessary to remove the fuel cap to reinstall the air filter cover.

8. Swing the cover to the right until the tab on the air filter cover snaps into place in the slot on the back plate (Fig. 37).
9. Replace the fuel cap if it was removed.

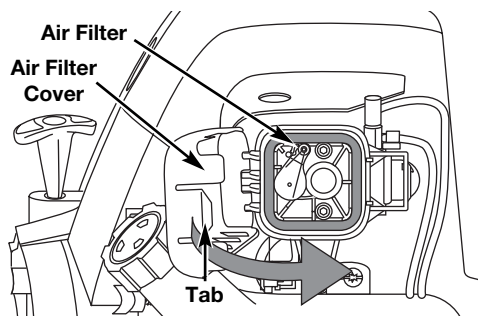


Fig. 37

CARBURETOR ADJUSTMENT

The idle speed of the engine is adjustable. An idle adjustment screw is reached through a hole in the top of the engine cover (Fig. 38).

NOTE: Careless adjustments can seriously damage your unit. An authorized service dealer should make carburetor adjustments.

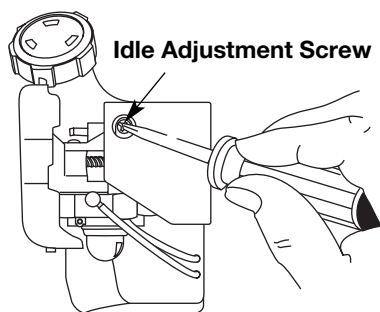


Fig. 38

Check Fuel

Old fuel is usually the reason for improper unit performance. Drain and refill the tank with fresh fuel prior to making any adjustments. Refer to *Oil and Fuel Information*.

Clean Air Filter

The condition of the air filter is important to the operation of the unit. A dirty air filter will restrict air flow. This is often mistaken for an out of adjustment carburetor. Check the condition of the air filter before adjusting the idle speed screw. Refer to *Air Filter Maintenance*.

Adjust Idle Speed Screw

WARNING: To prevent serious personal injury, make sure the cutting attachment has stopped rotating before you turn it off and set it down.

If, after checking the fuel and cleaning the air filter, the engine still will not idle, adjust the idle speed screw as follows:

1. Start the engine and let it run at a high idle for a minute to warm up. Refer to *Starting/Stopping Instructions*.
2. Release the throttle trigger and let the engine idle. If the engine stops, insert a small phillips into the hole in the air filter/muffler cover (Fig. 38). Turn the idle speed screw in, **clockwise**, 1/8 of a turn at a time (as needed) until the engine idles smoothly.

NOTE: The cutting attachment should not rotate when the engine idles.

3. If the cutting attachment rotates when the engine idles, turn the idle speed screw **counterclockwise** 1/8 of a turn at a time (as needed), to reduce idle speed.

WARNING: The cutting attachment may spin during idle speed adjustments. Wear protective clothing and observe all safety instructions to prevent serious personal injury.

Checking the fuel, cleaning the air filter, and adjusting the idle speed should solve most engine problems. If not and all of the following are true:

- the engine will not idle
- the engine hesitates or stalls on acceleration
- there is a loss of engine power

Have the carburetor adjusted by an authorized service dealer.

ROCKER ARM CLEARANCE

This requires disassembly of the engine. If you feel unsure or unqualified to perform this, take the unit to an authorized service center.

NOTE: Inspect the valve to rocker arm clearance with a feeler gauge after the first 10 hours of operation and then every 25 hours of operation thereafter.

- The engine must be cold when checking or adjusting the valve clearance.
 - This task should be performed inside, in a clean, dust free area.
1. Remove the muffler cover by pressing down on it, separating it from the engine cover. Using a flat blade screwdriver, disengage the middle and front tabs and slots first. The cover will hinge off from the rear tab (Fig. 39).

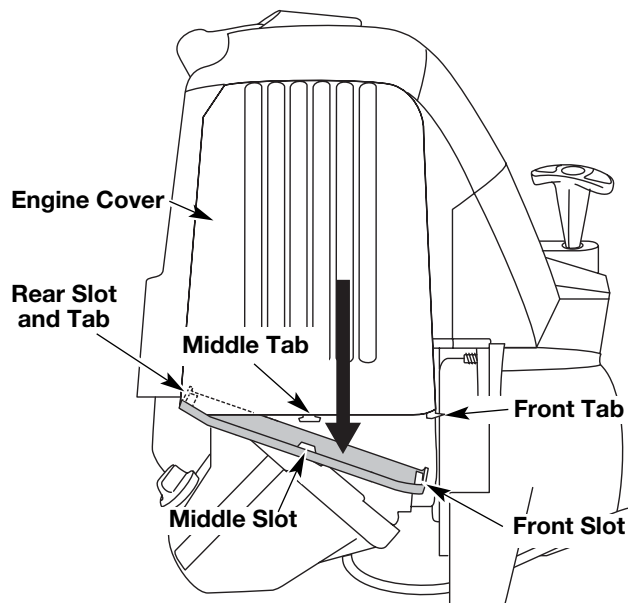


Fig. 39

2. Remove the two (2) screws on top of the engine cover with a Flat-head or T-25 Torx screwdriver (Fig. 40).

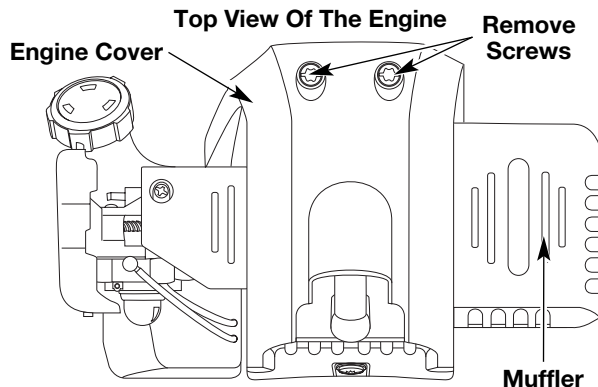


Fig. 40

MAINTENANCE AND REPAIR INSTRUCTIONS

3. Remove the screw behind the engine cover (Fig. 41).
4. Disconnect the spark plug wire.
5. Clean dirt from around the spark plug. Remove the spark plug from the cylinder head by turning a 5/8 in. socket counterclockwise.
6. Remove the engine cover (Fig. 40).

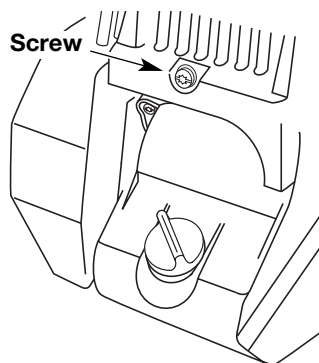


Fig. 41

7. Clean dirt from around the rocker arm cover. Remove the screw holding the rocker arm cover with a large flat blade screwdriver or Torx T-25 bit (Fig. 42). Remove the rocker arm cover and gasket.

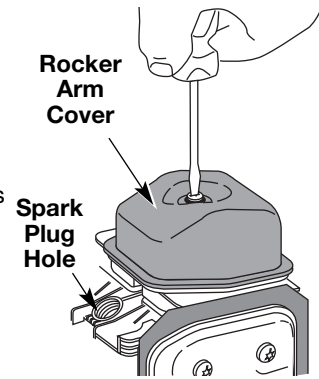


Fig. 42

8. Pull the starter rope slowly to bring the piston to the top of its travel, (known as top dead center). Check that:
 - The piston is at the top of its travel while looking in the spark plug hole (Fig. 42)
 - Both rocker arms move freely, and both valves are closed

If these statements are not true, repeat this step.

9. Slide the feeler gauge between the rocker arm and the valve return spring. Measure the clearance between the valve stem and rocker arm (Fig. 43). Measure both the intake and exhaust valves.

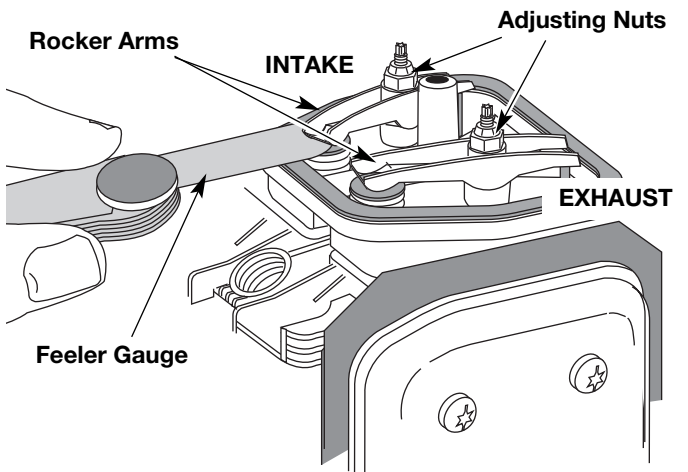


Fig. 43

The recommended clearance for both intake and exhaust is .003 – .006 in. (.076 – 0.152 mm). Use a standard automotive .005 in. (0.127 mm) feeler gauge. The feeler gauge should slide between the rocker arm and valve stem with a slight amount of resistance, without binding. See Figures 43 and 44.

10. If the clearance is not within specification:
 - a. Turn the adjusting nut using a 5/16 inch (8 mm) wrench or nut driver (Fig. 44).
 - To increase clearance, turn the adjusting nut counterclockwise.

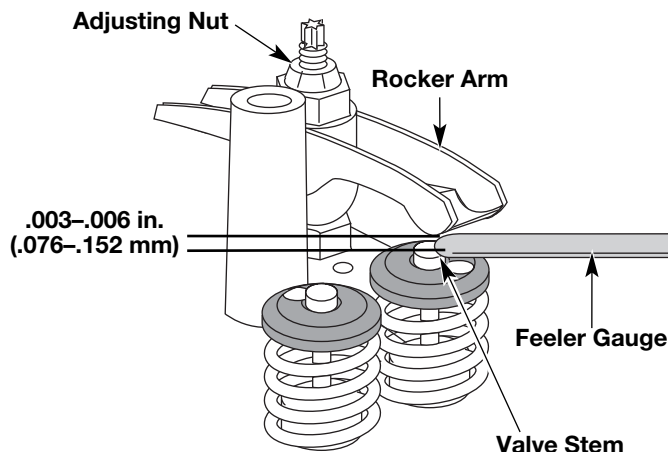


Fig. 44

- To decrease clearance, turn the adjusting nut clockwise.
- b. Recheck both clearances, and adjust as necessary.
 11. Reinstall the rocker arm cover using a new gasket. Torque the screw to 20–30 in•lb (2.2–3.4 N•m).
 12. Reinstall the engine cover. Check alignment of the cover before tightening the screws. Tighten screws.
 13. Reinstall the muffler cover. Slip the rear tab on the muffler cover into the engine cover rear slot. Then slide the remaining slots into the tabs until they snap into place (Fig. 39).
 14. Check the spark plug and reinstall. See *Replacing the Spark Plug*.
 15. Replace the spark plug wire.

REPLACING THE SPARK PLUG

Use a replacement part number 791-180852B spark plug. The correct air gap is 0.025 in. (0.655 mm.). Remove the plug after every 25 hours of operation and check its condition.

1. Stop the engine and allow it to cool. Grasp the plug wire firmly and pull the cap from the spark plug.
2. Clean dirt from around the spark plug. Remove the spark plug from the cylinder head by turning a 5/8 in. socket counterclockwise.
3. Replace cracked, fouled or dirty spark plug. Set the air gap at 0.025 in. (0.655 mm.) using a feeler gauge (Fig. 45).
4. Install a correctly-gapped spark plug in the cylinder head. Turn the 5/8 in. socket clockwise until snug.

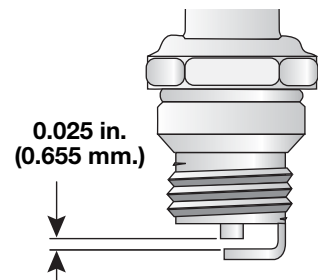


Fig. 45

If using a torque wrench torque to:

110-120 in.•lb. (12.3-13.5 N•m)

Do not over tighten.



WARNING: Do not sand blast, scrape or clean electrodes. Grit in the engine could damage the cylinder.

MAINTENANCE AND REPAIR INSTRUCTIONS

SPARK ARRESTOR MAINTENANCE

1. Remove the muffler cover. See *Rocker Arm Clearance*.
2. With a flat blade screwdriver or Torx T-20 bit, remove the screw attaching the spark arrestor cover to the muffler (Fig. 46).

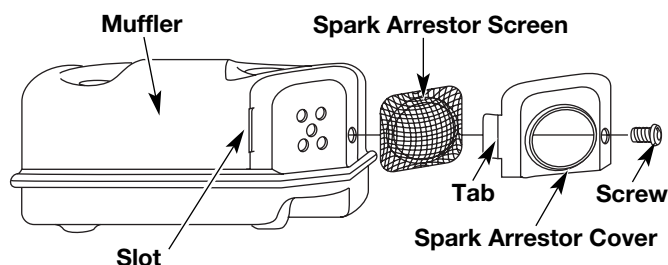


Fig. 46

3. Pull the tab on the spark arrestor cover out of the muffler. Remove the spark arrestor cover.
4. Remove the spark arrestor screen from the spark arrestor cover.
5. Clean the spark arrestor screen with a wire brush or replace it.
6. Reinstall the spark arrestor screen, spark arrestor cover and screw.

CLEANING



WARNING: To avoid serious personal injury, always turn your unit off and allow it to cool before you clean or service it.

Use a small brush to clean off the outside of the unit. Do not use strong detergents. Household cleaners that contain aromatic oils such as pine and lemon, and solvents such as kerosene, can damage plastic housing or handle. Wipe off any moisture with a soft cloth.

STORAGE

- Never store the unit with fuel in the tank where fumes may reach an open flame or spark.
- Allow the engine to cool before storing.
- Lock up the unit to prevent unauthorized use or damage.
- Store the unit in a dry, well-ventilated area.
- Store the unit out of the reach of children.

LONG TERM STORAGE

1. Drain all gasoline from the gas tank into a container. Do not use gas that has been stored for more than 60 days. Dispose of the old gasoline in accordance to Federal, State, and Local regulations.
2. Start the engine and allow it to run until it stalls. This ensures that all gasoline has been drained from the carburetor.
3. Allow the engine to cool. Remove the spark plug and put 1 oz. (30 ml) of high quality motor oil into the cylinder. Pull the starter rope slowly to distribute the oil. Reinstall the spark plug.

NOTE: Remove the spark plug and drain all of the oil from the cylinder before attempting to start the trimmer after storage.

4. Change the oil, referring to *Changing the Oil*. Dispose of the old oil in accordance to Federal, State and Local regulations.
5. Thoroughly clean the unit and inspect for any loose or damaged parts. Repair or replace damaged parts and tighten loose screws, nuts or bolts. The unit is ready for storage.

TRANSPORTING

- Allow the engine to cool before transporting.
- Secure the unit while transporting.
- Drain the gas tank before transporting.
- Tighten gas cap before transporting.

TROUBLESHOOTING

ENGINE WILL NOT START

CAUSE

On/Off control in the STOP position
Empty fuel tank
Primer bulb wasn't pressed enough
Old fuel
Fouled spark plug
Plugged spark arrestor

ACTION

Turn On/Off control to ON
Fill fuel tank with new fuel
Press primer bulb fully and slowly 10 times
Drain gas tank and add fresh fuel
Replace or clean the spark plug
Clean or replace spark arrestor

ENGINE WILL NOT IDLE

CAUSE

Air filter is plugged
Old fuel
Improper carburetor adjustment

ACTION

Replace or clean the air filter
Drain gas tank and add fresh fuel
Adjust carburetor

ENGINE WILL NOT ACCELERATE

CAUSE

Old fuel
Improper carburetor adjustment
Cutting attachment bound with grass
Dirty air filter
Plugged spark arrestor

ACTION

Drain gas tank and add fresh fuel
Take to an authorized service dealer for adjustment
Stop the engine and clean the cutting attachment
Clean or replace the air filter
Clean or replace spark arrestor

ENGINE LACKS POWER OR STALLS WHEN CUTTING

CAUSE

Old fuel
Improper carburetor adjustment
Fouled spark plug
Plugged spark arrestor

ACTION

Drain gas tank and add fresh fuel
Take to an authorized service dealer for adjustment
Replace or clean the spark plug
Clean or replace spark arrestor

CUTTING ATTACHMENT WILL NOT ADVANCE LINE

CAUSE

Cutting attachment bound with grass
Cutting attachment out of line
Inner reel bound up
Cutting head dirty
Line welded
Line twisted when refilled
Not enough line is exposed

ACTION

Stop the engine and clean cutting attachment
Refill with new line
Replace the inner reel
Clean inner reel and outer spool
Disassemble, remove the welded section and rewind
Disassemble and rewind the line
Push the bump knob and pull out line until 4 inches (102 mm) of line is outside of the cutting attachment

CUTTING LINE ADVANCES UNCONTROLLABLY

CAUSE

Oil, cleaner or lubricant in cutting head

ACTION

Clean and thoroughly dry the cutting head

If further assistance is required, contact your authorized service dealer.

SPECIFICATIONS

ENGINE*

Engine Type.....	Air-Cooled, 4-Cycle
Displacement.....	1.6 cu. in. (26.2 cc)
Operating RPM.....	7,200+ rpm
Idle Speed RPM.....	2,800 - 3,600 rpm
Ignition Type.....	Electronic
Ignition Switch.....	Rocker Switch
Valve clearance.....	0.003–0.006 in. (0.076–0.152 mm)
Spark Plug Gap.....	0.025 inch (0.655 mm)
Lubrication.....	SAE 30 Oil
Crankcase Oil Capacity.....	3.04 oz (90 ml)
Fuel.....	Unleaded
Carburetor.....	Diaphragm, All-Position
Starter.....	Auto Rewind
Muffler.....	Baffled with Guard
Throttle.....	Manual Spring Return
Fuel Tank Capacity.....	12 oz (355 ml)

DRIVE SHAFT AND CUTTING ATTACHMENT*

Drive Shaft Housing.....	Steel Tube
Throttle Control.....	Finger-Tip Trigger
Approximate Unit Weight (No fuel, with handle, cutting attachment and shield).....	12-13.5 lbs (5.4-6 kg)
Cutting Mechanism.....	Speed Spool® Dual String Cutting Head
Line Spool.....	Bump Line Releaser
Line Spool Diameter.....	3 inches (76.2 mm)
Trimming Line Diameter.....	0.080 inches (2.03 mm)
Cutting Path Diameter.....	17 inches (43.18 cm)

*All specifications are based on the latest product information available at the time of printing. We reserve the right to make changes at any time without notice.

California / EPA Emission Control Warranty Statement

Your Warranty Rights and Obligations

The California Air Resources Board, the Environmental Protection Agency and MTD LLC (MTD) are pleased to explain the emission control system warranty on your 2005 and later small off-road engine. New small off-road engines must be designed, built and equipped to meet stringent anti-smog standards. MTD must warrant the emission control system on your small off-road engine for the periods of time listed below provided there has been no abuse, neglect or improper maintenance of your small off-road engine.

Your emission control system may include parts such as the carburetor or fuel-injected system, the ignition system, and catalytic converter. Also included may be hoses, belts, connectors and other emission-related assemblies.

Where a warrantable condition exists, MTD will repair your small off-road engine at no cost to you including diagnosis, parts and labor.

The 2005 and later small off-road engines are warranted for two years. If any emission-related part on your engine is defective, the part will be repaired or replaced by MTD.

Owners Warranty Responsibilities

- As the small off-road engine owner, you are responsible for the performance of the required maintenance listed in your operator's manual. MTD recommends that you retain all receipts covering maintenance on your small off-road engine, but MTD cannot deny warranty solely for the lack of receipts or for your failure to ensure the performance of all scheduled maintenance.
- As the small off-road engine owner, you however should be aware that MTD may deny you warranty coverage if your small off-road engine or a part has failed due to abuse, neglect, improper maintenance or unapproved modifications.
- You are responsible for presenting your small off-road engine to a MTD Authorized Service Center as soon as a problem exists. The warranty repairs should be completed in a reasonable amount of time, not to exceed 30 days.

If you have any questions regarding your warranty rights and responsibilities, you should call **1-800-345-8746**.

Manufacturer's Warranty Coverage

- The warranty period begins on the date the engine or equipment is delivered to the retail purchaser.
- The manufacturer warrants to the initial owner and each subsequent purchaser, that the engine is free from defects in material and workmanship which cause the failure of a warranted part for a period of two years.
- Repair or replacement of warranted part will be performed at no charge to the owner at an Authorized MTD Service Center. For the nearest location please contact MTD at: **1-800-345-8746**.
- Any warranted part which is not scheduled for replacement, as required maintenance or which is scheduled for only for regular inspection to the effect of "Repair or Replace as Necessary" is warranted for the warranty period. Any warranted part which is scheduled for replacement as required maintenance will be warranted for the period of time up to the first scheduled replacement point for that part.
- The owner will not be charged for diagnostic labor which leads to the determination that a warranted part is defective, if the diagnostic work is performed at an Authorized MTD Service Center.
- The manufacturer is liable for damages to other engine components caused by the failure of a warranted part still under warranty.
- Failures caused by abuse, neglect or improper maintenance are not covered under warranty.
- The use of add-on or modified parts can be grounds for disallowing a warranty claim. The manufacturer is not liable to cover failures of warranted parts caused by the use of add-on or modified parts.
- In order to file a claim, go to your nearest Authorized MTD Service Center. Warranty services or repairs will be provided at all Authorized MTD Service Centers.
- Any manufacturer approved replacement part may be used in the performance of any warranty maintenance or repair of emission related parts and will be provided without charge to the owner. Any replacement part that is equivalent in performance or durability may be used in non-warranty maintenance or repair and will not reduce the warranty obligations of the manufacturer
- The following components are included in the emission related warranty of the engine, air filter, carburetor, primer, fuel lines, fuel pick up/ fuel filter, ignition module, spark plug and muffler.

MANUFACTURER'S LIMITED WARRANTY FOR:



The limited warranty set forth below is given by MTD LLC ("MTD") with respect with new merchandise purchased and used in the United States, its possessions and territories.

MTD warrants this product against defects in material and workmanship for a period of two (2) years commencing on the date of original purchase and will, at its option, repair or replace, free of charge, any part found to be defective in material or workmanship. This limited warranty shall only apply if this product has been operated and maintained in accordance with the Operator's Manual furnished with the product, and has not been subject to misuse, abuse, commercial use, neglect, accident, improper maintenance, alteration, vandalism, theft, fire, water or damage because of other peril or natural disaster. Damage resulting from the installation or use of any accessory or attachment not approved by MTD for use with the product(s) covered by this manual will void your warranty as to any resulting damage.

This warranty is limited to ninety (90) days from the date of original retail purchase for any MTD product that is used for rental or commercial purposes, or any other income-producing purpose.

HOW TO OBTAIN SERVICE: Warranty service is available, WITH PROOF OF PURCHASE THROUGH YOUR LOCAL AUTHORIZED SERVICE DEALER. To locate the dealer in your area, please check for a listing in the Yellow Pages or contact the Customer Service Department of MTD LLC by calling **1-800-345-8746** or writing to P.O. Box 361131, Cleveland OH 44136-0019 or if in Canada call **1-800-668-1238**. No product returned directly to the factory will be accepted unless prior written permission has been extended by the Customer Service Department of MTD.

This limited warranty does not provide coverage in the following cases:

- A. Tune-ups - Spark Plugs, Carburetor Adjustments, Filters
- B. Wear items - Bump Knobs, Outer Spools, Cutting Line, Inner Reels, Starter Pulley, Starter Ropes, Drive Belts
- C. MTD does not extend any warranty for products sold or exported outside of the United States of America, its possessions and territories, except those sold through MTD's authorized channels of export distribution.

MTD reserves the right to change or improve the design of any McCulloch Product without assuming any obligation to modify any product previously manufactured.

No implied warranty, including any implied warranty of merchantability or fitness for a particular purpose, applies after the applicable period of express written warranty above as to the parts as identified. No other express warranty or guaranty, whether written or oral, except as mentioned above, given by any person or entity, including a dealer or retailer, with respect to any product shall bind MTD. During the period of the Warranty, the exclusive remedy is repair or replacement of the product as set forth above. (Some states do not allow limitations on how long an implied warranty lasts, so the above limitation may not apply to you.)

The provisions as set forth in this Warranty provide the sole and exclusive remedy arising from the sales. MTD shall not be liable for incidental or consequential loss or damages including, without limitation, expenses incurred for substitute or replacement lawn care services, for transportation or for related expenses, or for rental expenses to temporarily replace a warranted product. (Some states do not allow limitations on how long an implied warranty lasts, so the above limitation may not apply to you.)

In no event shall recovery of any kind be greater than the amount of the purchase price of the product sold. Alteration of the safety features of the product shall void this Warranty. You assume the risk and liability for loss, damage, or injury to you and your property and/or to others and their property arising out of the use or misuse or inability to use the product.

This limited warranty shall not extend to anyone other than the original purchaser, original lessee or the person for whom it was purchased as a gift.

How State Law Relates to this Warranty: This warranty gives you specific legal rights, and you may also have other rights which vary from state to state.

To locate your nearest service dealer dial **1-800-345-8746** in the United States or **1-800-668-1238** in Canada.

MTD LLC

P.O. Box 361131
Cleveland, OH 44136-0019

Manuel de L'utilisateur



Désherbeuse à gaz à 4-temps Y26SS

SAVE THESE INSTRUCTIONS

Obtenez la liste des concessionnaires agréés appelez le **1-800-520-5520** aux États-Unis ou le **1-800-668-1238** au Canada. Pour de plus amples informations à propos de votre appareil, visitez www.mtdproducts.com.

NE RETOURNEZ PAS L'APPAREIL AU DÉTAILLANT CHEZ QUI VOUS L'AVEZ ACHETÉ. TOUT SERVICE SOUS GARANTIE NÉCESSITE UNE PREUVE D'ACHAT.

CE PRODUIT EST COUVERT PAR UN OU PLUSIEURS BREVETS AMÉRICAINS, ET D'AUTRES SONT EN INSTANCE.

PARE-ÉTINCELLES

REMARQUE : à l'intention des utilisateurs opérant dans les terres forestières des États-Unis et dans les états de Californie, du Maine, de l'Orégon et de Washington. Toutes les terres forestières des États-Unis et de l'état de Californie (Codes sur les ressources publiques 4442 et 4443), de l'Orégon et de Washington exigent de par la loi que certains moteurs à combustion interne utilisés dans des zones couvertes de taillis ou d'herbe soient équipés d'un pare-étincelles en parfait état de fonctionnement, ou qu'ils soient conçus, équipés et entretenus pour la prévention des incendies. Renseignez-vous auprès des autorités de votre province ou de votre municipalité concernant la réglementation en vigueur. Vous pourriez être passible d'une amende ou être tenu responsable si vous ne respectez pas cette réglementation. Cet appareil est équipé d'un pare-étincelles en usine. **Si l'écran pare-étincelles, réf. 753-05169, doit être remplacé,** communiquez avec le service technique.

AVERTISSEMENT DE LA PROPOSITION 65 DE CALIFORNIE



AVERTISSEMENT



LES GAZ D'ÉCHAPPEMENT DU MOTEUR DE CET APPAREIL CONTIENNENT DES PRODUITS CHIMIQUES CONSIDÉRÉS PAR L'ÉTAT DE CALIFORNIE COMME POUVANT CAUSER LE CANCER, DES MALFORMATIONS CONGÉNITALES OU D'AUTRES EFFETS NOCIFS SUR L'APPAREIL DE REPRODUCTION.

Toutes les informations, illustrations et spécifications contenues dans ce manuel tiennent compte des dernières informations techniques disponibles au moment de mettre sous presse. Nous nous réservons le droit d'y apporter des modifications à tout moment, sans préavis.

Copyright© 2005 MTD SOUTHWEST INC., Tous droits réservés.

TABLE DES MATIÈRES

Service technique	F1
Consignes de sécurité	F2
Informations sur l'huile et le carburant	F3
Instructions de montage	F4
Familiarisez-vous avec votre appareil	F4
Instructions de démarrage et d'arrêt	F5
Mode d'emploi	F6
Entretien et réparations	F7
Nettoyage et entreposage	F13
Tableau de dépannage	F14
Caractéristiques	F15
Garantie	F16-F17
Liste des pièces	E17



AVERTISSEMENT: Lorsque vous utilisez la machine, vous devez suivre les consignes de sécurité. Veuillez lire ces instructions avant d'opérer la machine pour vous assurer de la sécurité de l'opérateur et de tout spectateur. Veuillez conserver ces instructions pour un usage ultérieur.

• IMPORTANTES CONSIGNES DE SÉCURITÉ •

LIRE TOUTES LES INSTRUCTIONS

AVANT UTILISATION

- Veuillez lire les instructions avec soin. Familiarisez-vous avec les commandes et l'utilisation correcte de cet appareil.
- N'utilisez pas l'appareil si vous êtes fatigué, malade ou sous l'effet de l'alcool, de drogues ou de médicaments.
- Les enfants et adolescents de moins de 15 ans ne doivent pas utiliser l'appareil exceptés les adolescents assistés d'un adulte.
- Inspectez l'appareil avant utilisation. Remplacez les pièces endommagées. Regardez s'il y a des fuites de carburant. Assurez-vous que les fixations sont solidement en place. Remplacez les pièces de l'accessoire de coupe qui sont fendillées, ébréchées ou endommagées. Assurez-vous que l'accessoire de coupe est correctement installé et solidement fixé. Assurez-vous que le protecteur d'accessoire de coupe est correctement fixé et positionné comme recommandé. Vous risquez sinon de causer des blessures à l'opérateur et aux spectateurs, et d'endommager l'appareil.
- N'utilisez que du fil de remplacement d'origine du fabricant de 2,03 mm, 0,080 po de diamètre. N'utilisez jamais de fil, de chaîne ou de cordon à renfort métallique car ils peuvent se briser et se transformer en projectile dangereux.
- Soyez conscient des risques de blessure à la tête, aux mains et aux pieds.
- Dégagez la zone de coupe avant chaque usage. Enlevez tous les objets pouvant être projetés ou happés par l'accessoire de coupe : cailloux, verre brisé, clous, fil ou ficelle. Éloignez enfants, spectateurs et animaux de la zone de coupe. Tenez-les à au moins 15 m (50 pi) de là mais sachez que les spectateurs risquent quand même d'être atteints par des objets projetés. Les spectateurs doivent porter des protections oculaires. Arrêtez immédiatement le moteur et l'accessoire de coupe si quelqu'un s'approche de vous.
- Appuyez sur la manette des gaz et assurez-vous qu'elle revient automatiquement en position de ralenti. Procédez à tous les réglages ou réparations avant d'utiliser l'appareil.

AVERTISSEMENTS DE SÉCURITÉ CONCERNANT LES DÉSHERBEUSES À GAZ



AVERTISSEMENT: l'essence est extrêmement inflammable et ses vapeurs peuvent exploser si on y met le feu. Veuillez prendre les précautions suivantes.

- Ne stockez le carburant que dans des contenants spécialement conçus et homologués pour le stockage de ce type de matières.
- Arrêtez toujours le moteur et laissez-le refroidir avant de remplir le réservoir de carburant. N'enlevez jamais le bouchon du réservoir et n'ajoutez jamais de carburant pendant que le moteur est chaud. Ne faites jamais fonctionner l'appareil sans que le bouchon de carburant soit bien mis. Desserrez lentement le bouchon afin de réduire la pression du réservoir.
- Évitez de créer une source d'allumage pour le carburant déversé. Ne démarrez pas le moteur avant que les vapeurs de carburant ne se soient dissipées.
- Ajoutez le carburant dans un endroit bien aéré et propre en plein air à l'abri des étincelles ou des flammes. N'enlevez lentement le bouchon du réservoir d'essence qu'après avoir arrêté le moteur. Ne fumez pas pendant le remplissage de carburant. Essuyez immédiatement tout déversement de carburant de l'appareil.
- Éloignez l'appareil d'au moins 9,1 m (30 pi) de la source de ravitaillement en carburant avant de démarrer le moteur. Ne fumez pas et éloignez toute source d'étincelles ou de flammes vives du lieu de ravitaillement ou de fonctionnement de l'appareil.

PENDANT L'UTILISATION DE L'APPAREIL

- Évitez de démarrer ou de faire marcher l'appareil à l'intérieur d'une pièce ou d'un bâtiment fermé. La respiration de fumées d'échappement peut tuer. Ne faites fonctionner cet appareil qu'à l'extérieur dans un endroit bien aéré.
- Portez des lunettes de sécurité conformes aux normes ANSI Z87.1 ainsi que des protège-oreilles durant l'utilisation de l'appareil. Portez un masque facial ou antipoussières si vous travaillez dans un lieu poussiéreux.
- Portez des pantalons épais et longs, des bottes, des gants et une

chemise à manches longues. Ne marchez pas pieds nus et évitez les vêtements lâches, bijoux, pantalons courts et sandales. Relevez les cheveux au-dessus des épaules.

- Le protecteur d'accessoire de coupe doit toujours être en place lors de l'utilisation de l'appareil. Ne faites pas marcher l'appareil sans que les deux fils soient bien déployés, en supposant qu'un fil approprié a été installé. Assurez-vous que le fil ne dépasse pas le protecteur de sécurité.
- Cet appareil est muni d'un embrayage. L'accessoire de coupe reste stationnaire lorsque le moteur est au ralenti. Si ce n'est pas le cas, faites régler l'appareil par un technicien agréé.
- Ajustez la poignée selon votre taille pour mieux l'agripper.
- N'utilisez l'appareil qu'en plein jour ou avec un bon éclairage artificiel.
- Évitez tout démarrage accidentel. Mettez-vous en position de démarrage chaque fois que vous tirez sur la corde de démarrage. L'opérateur et l'appareil doivent tous deux être en position stable à ce moment-là. Voir les Instructions de démarrage et d'arrêt.
- Ne vous étirez pas. Tenez-vous toujours bien sur vos pieds en position d'équilibre.
- Tenez toujours l'appareil des deux mains lorsque vous le faites marcher. Agrippez fermement les poignées avant et arrière.
- Gardez les mains, le visage et les pieds éloignés des pièces mobiles. Ne touchez pas et n'essayez pas d'arrêter l'accessoire de coupe en rotation.
- Ne touchez pas le moteur, le boîtier d'engrenages ni le silencieux. Ces pièces deviennent très chaudes à l'utilisation. Elles restent chaudes brièvement après l'arrêt.
- Servez-vous des outils appropriés. N'utilisez cet outil que pour son usage prévu.
- Ne faites pas fonctionner le moteur à un régime plus élevé que nécessaire pour couper, tailler ou faire les bordures. Ne faites pas tourner le moteur à haut régime si vous ne vous faites pas de coupe.
- Arrêtez toujours le moteur lorsque vous suspendez la coupe ou lorsque vous vous déplacez d'un lieu de travail vers un autre.
- Si vous heurtez un corps étranger ou que celui-ci est happé, arrêtez le moteur immédiatement et vérifiez que rien n'a été endommagé. Ne faites pas fonctionner avant réparation des dommages. Ne faites pas marcher l'appareil si les pièces sont desserrées ou endommagées.
- Arrêtez et éteignez le moteur dans les cas suivants: entretien, réparation ou changement d'accessoires ou autres.
- N'utilisez que des pièces de équipement original rechange et accessoires d'origine du fabricant pour cet appareil. Elles sont disponibles auprès de votre concessionnaire agréé. L'utilisation de pièces ou accessoires autres que ceux de équipement original peut causer des blessures graves, endommager l'appareil et annuler sa garantie.
- Gardez l'appareil exempt d'accumulation de végétation ou autres matières. Celles-ci peuvent rester logées entre l'accessoire de coupe et le protecteur.
- Afin de diminuer les risques d'incendie, remplacez tout silencieux ou pare-étincelles défectueux et conservez le moteur et le silencieux exempts d'herbe, de feuilles et d'accumulation excessive de graisse ou de carbone.

AUTRES AVERTISSEMENTS DE SÉCURITÉ

- N'entrez jamais l'appareil rempli de carburant dans un édifice où les vapeurs peuvent atteindre une source de flammes vives ou d'étincelles.
- Laissez le moteur se refroidir avant de l'entreposer ou de le transporter. Attachez bien l'appareil pendant le transport.
- Rangez l'appareil dans un endroit verrouillé et sec, ou élevé et sec, hors de portée des enfants, pour éviter une utilisation indésirable ou un accident.
- Ne trempez et n'arrosez jamais l'appareil avec de l'eau ou tout autre liquide. Gardez les poignées sèches, propres et exemptes de débris. Nettoyez après chaque usage. Voir les sections *Nettoyage* et *Entreposage*.
- Conservez ces instructions. Consultez-les souvent et servez-vous en pour instruire d'autres usagers. Si vous prêtez l'appareil à quelqu'un, prêtez-lui également ces instructions.

CONSERVER CES INSTRUCTIONS

CONSIGNES DE SÉCURITÉ

SYMBOLES DE SÉCURITÉ ET INTERNATIONAUX

Ce manuel de l'utilisateur décrit les symboles et pictogrammes de sécurité et internationaux pouvant apparaître sur ce produit. Consultez le manuel de l'utilisateur pour les informations concernant la sécurité, le montage, le fonctionnement, l'entretien et les réparations.

SYMBOLE	SIGNIFICATION
	<ul style="list-style-type: none"> • SYMBOLE ALERTE DE SÉCURITÉ <p>Indique un danger, un avertissement ou une mise en garde. Ce symbole peut être combiné à d'autres symboles ou pictogrammes.</p>
	<ul style="list-style-type: none"> • LISEZ LE MANUEL DE L'UTILISATEUR <p>AVERTISSEMENT - Lisez le manuel de l'utilisateur et suivez tous les avertissements et consignes de sécurité. Vous pourriez à défaut entraîner des blessures graves pour vous ou d'autres personnes.</p>
	<ul style="list-style-type: none"> • PORTEZ DES PROTECTIONS (YEUX ET OREILLES) <p>AVERTISSEMENT: les objets projetés et les bruits forts peuvent endommager la vue et l'ouïe. Portez une visière de norme ANSI Z87.1-1989 et des protège-oreilles pendant l'utilisation.</p>
	<ul style="list-style-type: none"> • AVERTISSEMENT SURFACE CHAUDE <p>Ne touchez pas un silencieux ou un cylindre chaud. Vous pourriez vous brûler. Ces pièces deviennent très chaudes à l'utilisation. Elles restent chaudes brièvement après l'arrêt.</p>
	<ul style="list-style-type: none"> • CARBURANT SANS PLOMB <p>Utilisez toujours du carburant sans plomb frais et propre.</p>
	<ul style="list-style-type: none"> • NIVEAU D'HUILE <p>Voir le manuel de l'utilisateur pour le type d'huile approprié.</p>

SYMBOLE	SIGNIFICATION
	<ul style="list-style-type: none"> • COMMANDE MARCHÉ/ARRÊT <p>ALLUMAGE / DÉMARRAGE / MARCHÉ</p>
	<ul style="list-style-type: none"> • COMMANDE MARCHÉ/ARRÊT <p>ARRÊT ou STOP</p>
	<ul style="list-style-type: none"> • ÉLOIGNEZ LES SPECTATEURS <p>AVERTISSEMENT: éloignez tout spectateur, les enfants et les animaux domestiques en particulier, d'au moins 15 m (50 pi) de la zone de coupe.</p>
	<ul style="list-style-type: none"> • CONTRÔLE DE L'ÉTRANGLEUR <p>A. Position d'ÉTRANGLEMENT MAXIMUM B. Position d'ÉTRANGLEMENT PARTIEL C. Position MARCHÉ.</p>
	<ul style="list-style-type: none"> • LES OBJETS PROJETÉS ET LA TÊTE ROTATIVE PEUVENT CAUSER DES BLESSURES GRAVES <p>AVERTISSEMENT: ne faites pas fonctionner sans protecteur de sécurité en plastique. Tenez-vous à l'écart de l'accessoire de coupe rotatif.</p>
	<ul style="list-style-type: none"> • LAME AIGUISÉE <p>AVERTISSEMENT: le protecteur d'accessoire de coupe comporte une lame aiguisée. Ne touchez pas la lame pour éviter des blessures graves.</p>

INFORMATIONS SUR L'HUILE ET LE CARBURANT

AVERTISSEMENT: LE REMPLISSAGE EXCESSIF DU CARTER-MOTEUR PEUT ANTRAÎNER DES BLESSURES GRAVES. Nous ne saurions trop insister sur l'importance de la vérification du niveau d'huile du carter-moteur et de son maintien. Vérifiez l'huile avant chaque utilisation et changez-la au besoin tel qu'indiqué dans la section *Changement d'huile*.

TYPE D'HUILE RECOMMANDÉ

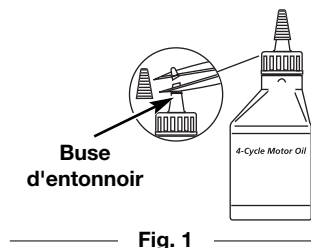
Il est extrêmement important d'utiliser les bons type et indice d'huile dans le carter-moteur. Vérifiez l'huile avant chaque utilisation et changez-la périodiquement. Le fait de ne pas utiliser la bonne huile ou d'utiliser une huile sale peut entraîner une usure et une défaillance prématurées du moteur. Utilisez une huile de haute qualité à indice SAE 30 API (American Petroleum Institute) de type SG, SF, SH.

AJOUT D'HUILE AU CARTER: MISE EN SERVICE

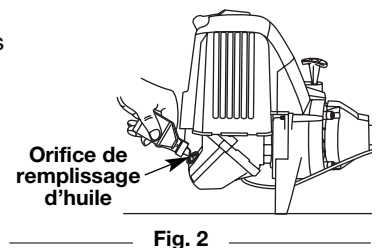
REMARQUE: cet appareil est livré sans huile. Pour éviter d'endommager l'appareil, mettez de l'huile dans le carter moteur avant le démarrage.

Votre appareil est livré avec une bouteille d'huile SAE 30 SF, SG, SH de 90 ml (3,04 oz) (Fig. 1).

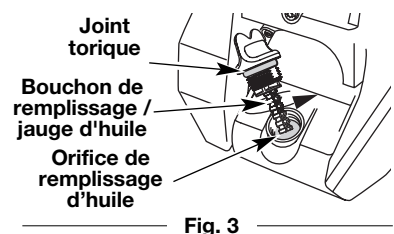
REMARQUE: conservez la bouteille pour mesurer correctement la quantité nécessaire d'huile plus tard. Voir *Changement d'huile*.



1. Dévisser le bouchon de la bouteille d'huile et retirez le papier couvrant l'ouverture. Remplacez le bouchon. Coupez la pointe de la buse de l'entonnoir (Fig. 1).
 2. Placez l'appareil sur une surface horizontale plane.
 3. Retirez le bouchon / la jauge d'huile du carter-moteur. Versez tout le contenu de la bouteille d'huile dans le carter-moteur (Fig. 2).
 4. Versez tout le contenu de la bouteille d'huile dans le carter-moteur (Fig. 3).
- REMARQUE:** n'ajoutez jamais d'huile au carburant ni au réservoir de carburant.
5. Essuyez toute trace d'huile déversée et remplacez le bouchon de remplissage / la jauge.



Nous ne saurions trop insister sur l'importance de la vérification du niveau d'huile du carter-moteur et de son maintien. Vérifiez l'huile avant chaque utilisation et changez-la au besoin tel qu'indiqué dans la section *Changement d'huile*.



INFORMATIONS SUR L'HUILE ET LE CARBURANT

TYPE DE CARBURANT RECOMMANDÉ

En général, si l'appareil ne fonctionne pas correctement, c'est que le carburant est vieux ou mal mélangé. Prenez soin d'utiliser du carburant sans plomb frais et propre.

REMARQUE : ceci est un moteur à quatre temps. Pour éviter d'endommager l'appareil, **ne mélangez pas l'huile avec l'essence.**

Définition des carburants mélangés

Les carburants d'aujourd'hui sont souvent un mélange d'essence et d'oxygénés comme l'éthanol, le méthanol ou l'éther MTBE. Un carburant mélangé à l'alcool absorbe l'eau. Il suffit de 1% d'eau pour séparer le carburant et l'huile, ce qui forme de l'acide pendant l'entreposage. Si vous devez utiliser ce type de carburant, servez-vous de carburant frais (moins de 60 jours).

Usage de carburants mélangés

Si vous choisissez d'utiliser ou ne pouvez éviter d'utiliser un carburant mélangé, suivez les conseils suivants :

- Utilisez toujours un mélange de carburant frais selon le manuel de l'utilisateur.
- Utilisez l'additif STA-BIL^{MD} ou un produit équivalent.
- Videz le réservoir et faites marcher le moteur jusqu'à ce qu'il soit à sec avant d'entreposer l'appareil.

Utilisation d'additifs de carburant

L'utilisation d'additifs de carburant tel que le stabilisant d'essence STA-BIL ou un produit équivalent permet d'empêcher la corrosion et de minimiser la formation de résidus de gomme. L'usage d'additifs peut empêcher le carburant de former des dépôts nocifs dans le carburateur pendant six (6) mois maximum. Ajoutez 23 ml (0,8 oz) d'additif par 4 litres (1 gallon) de carburant selon les instructions du récipient. N'ajoutez JAMAIS d'additifs directement dans le réservoir de l'appareil.



AVERTISSEMENT: Ajoutez du carburant dans un lieu propre et bien aéré en plein air. Essayez immédiatement tout déversement de carburant. Évitez de mettre le feu au carburant déversé. Ne démarrez pas le moteur avant dissipation des vapeurs de carburant.



AVERTISSEMENT: L'essence est extrêmement inflammable et les vapeurs qui s'en dégagent peuvent exploser si on y met le feu. Arrêtez toujours le moteur et laissez-le refroidir avant de remplir le réservoir. Ne fumez pas en remplissant le réservoir. Éloignez toute source d'étincelles ou de flammes vives de la zone.

AJOUT DE CARBURANT



AVERTISSEMENT: Enlevez le bouchon du réservoir lentement pour ne pas être blessé par les jets d'essence. Ne faites pas marcher l'appareil sans que le bouchon soit bien mis.

1. Déposez le bouchon à essence (Fig. 4).
2. Placez le bec du récipient d'essence dans l'orifice du réservoir (Fig. 19) et remplissez celui-ci.

REMARQUE : Ne remplissez pas trop le réservoir.

3. Essayez tout déversement d'essence.
4. Remettez le bouchon du réservoir.

5. Éloignez l'appareil d'au moins 9,1 m (30 pi) de la source et du site de ravitaillement en carburant avant de démarrer le moteur.

REMARQUE : Éliminez le vieux carburant conformément aux

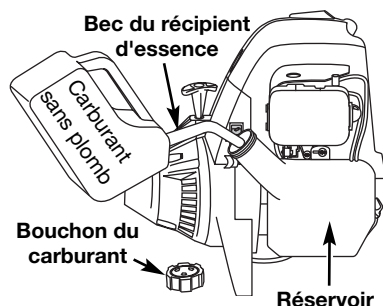


Fig. 4

règlements fédéral, provincial et municipal en vigueur.

INSTRUCTIONS DE MONTAGE

INSTALLATION ET RÉGLAGE DE LA POIGNÉE EN J

1. Placez la poignée en J entre les brides supérieure et médiane (Fig. 2).
2. Maintenez les trois pièces ensemble et introduisez les quatre (4) vis dans les brides supérieure et médiane.

REMARQUE: les trous des brides supérieure et médiane ne sont alignés que si l'assemblage est correct.

3. Placez les brides et la poignée en J sur le corps de l'arbre et sur la bride inférieure.
4. Tenez d'un doigt chaque écrou hex dans le renfoncement de la bride inférieure. Commencez à visser à l'aide d'un grand tournevis à embout cruciforme. Ne serrez pas avant de régler le guidon.
5. Glissez la poignée en J en un mouvement de va-et-vient jusqu'à ce que la flèche/ligne blanche de l'autocollant touche la bride (Fig. 3).
6. Tenez l'appareil en position d'utilisation (Fig. 26), puis positionnez la poignée en J de manière à assurer une prise idéale.
7. Serrez les vis des brides uniformément jusqu'à bien fixer la poignée.

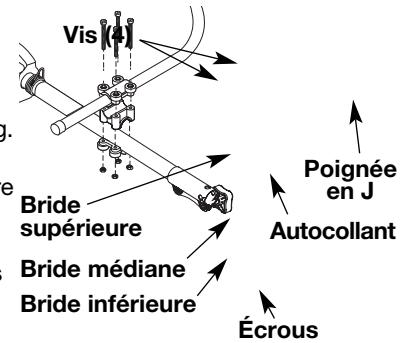
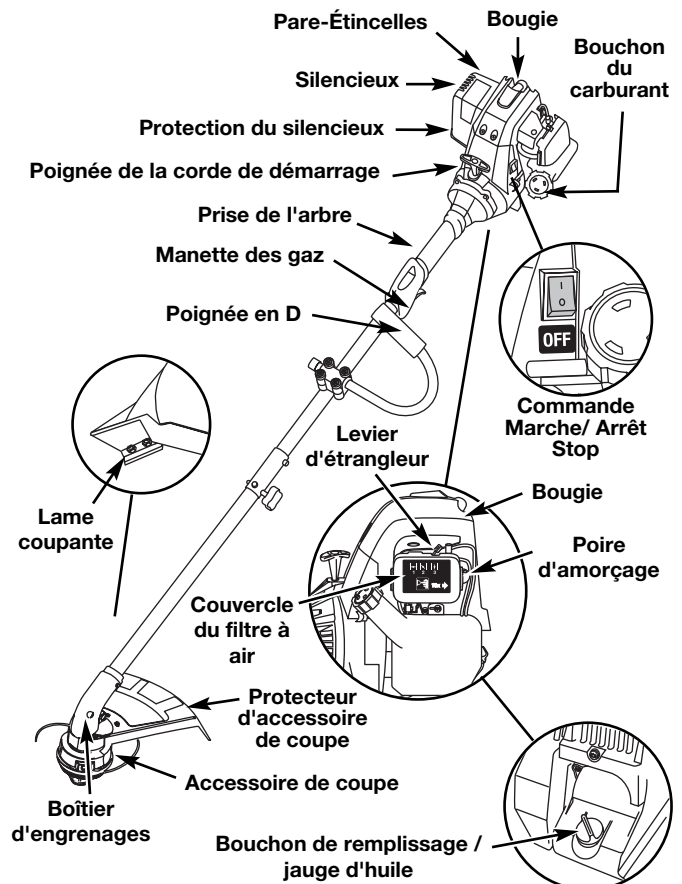


Fig. 5

FAMILIARISEZ-VOUS AVEC L'APPAREIL



INSTRUCTIONS DE DÉMARRAGE ET ARRÊT



AVERTISSEMENT: n'utiliser l'outil qu'à l'extérieur, dans un endroit bien aéré. Les émanations d'oxyde de carbone dans un endroit confiné peuvent être mortelles.



AVERTISSEMENT: évitez tout démarrage accidentel. Tenez-vous en position de démarrage lorsque vous tirez sur la corde de démarrage (Fig. 22). L'opérateur et l'appareil doivent tous deux être en position stable pour éviter des blessures graves. Vérifiez la bonne installation de l'accessoire avant le démarrage de l'appareil.

INSTRUCTIONS DE DÉMARRAGE

1. Vérifiez le niveau d'huile dans le carter moteur. Voir *Vérification du niveau d'huile*.
2. Remplissez le réservoir d'essence sans plomb propre et frais. Voir *Ajout de Carburant*.
3. Mettez la commande Marche/Arrêt Stop en position MARCHE (I) (Fig. 6).
4. Pressez et relâchez la poire d'amorçage à 10 reprises, lentement. Une certaine quantité de carburant devrait être visible dans la poire d'amorçage et les conduites de carburant (Fig. 7). Si vous n'apercevez pas de carburant dans la poire, pressez et relâchez la poire autant de fois que nécessaire jusqu'à ce que vous aperceviez du carburant dans cette dernière.
5. Mettez le levier d'étrangleur en **Position 1** (Fig. 7).
6. Levez-vous en position de démarrage (Fig. 8) et appuyez sur la manette des gaz. Tirez sèchement sur le cordon de démarrage jusqu'à 5 fois.
7. Mettez le levier d'étrangleur en **Position 2** (Fig. 9).
8. Tandis que vous appuyez sur la manette des gaz, tirez brusquement sur la corde de démarrage 1 à 3 fois pour démarrer le moteur.
9. Maintenez la manette des gaz enfoncée et laissez le moteur chauffer pendant 15 à 30 secondes.
10. Mettez le levier d'étrangleur en **Position 3** (Fig. 10). La machine est prête à être utilisée.

SI... Le moteur ne démarre pas, retournez à l'étape 4.

SI... Le moteur ne démarre pas après quelques tentatives, placez l'étrangleur en **Position 3** et appuyez sur la manette des gaz. Tirez fermement sur le cordon de démarrage entre 3 et 8 fois. Le moteur devrait démarrer. S'il ne démarre pas, recommencez.

SI CHAUD... Le moteur est déjà chaud, assurez-vous que l'interrupteur Marche/Arrêt Stop est en position ON et démarrez la machine avec le levier d'étranglement en **Position 2**. Après que la machine ait démarré, mettez le levier d'étranglement en **Position 3**.

INSTRUCTIONS D'ARRÊT

1. Relâchez la manette des gaz. Laissez le moteur se refroidir au ralenti.
2. Mettez la commande Marche/Arrêt Stop en position ARRÊT (O).

APPLICATIONS

Utilisation comme désherbeuse: Coupe d'herbe et de mauvaises herbes légères, Coupe de bordures, et Taille autour des arbres, des clôtures, etc.

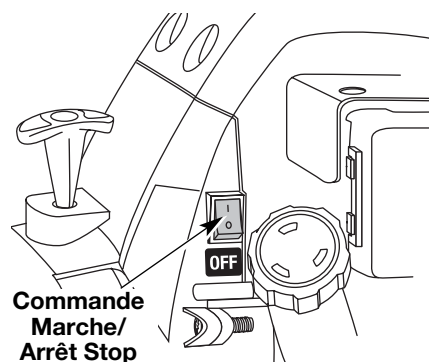


Fig. 6

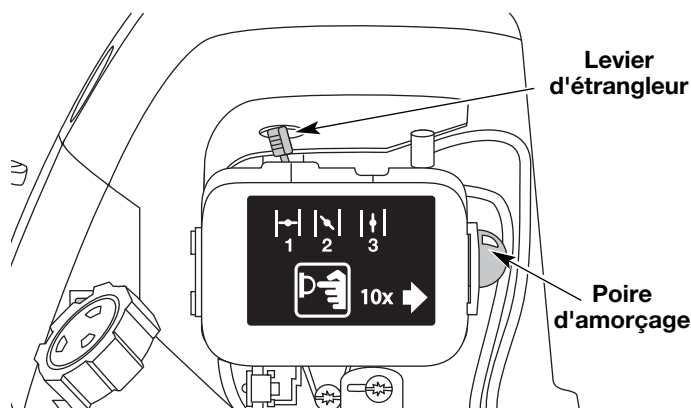


Fig. 7

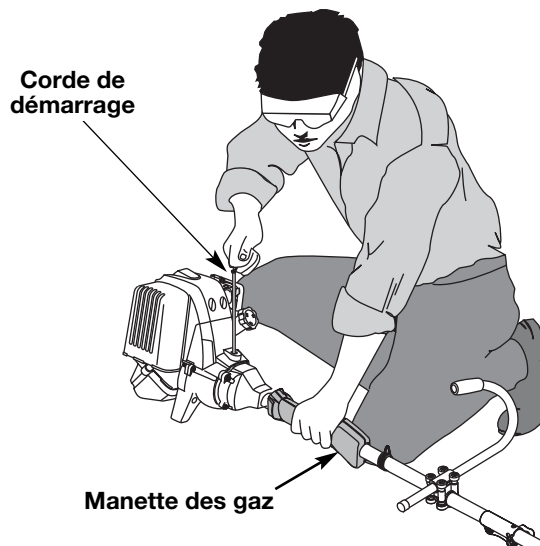


Fig. 8

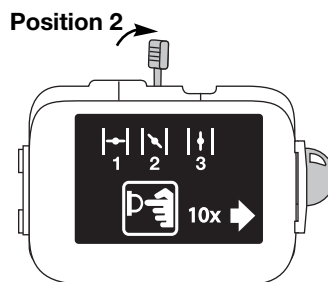


Fig. 9

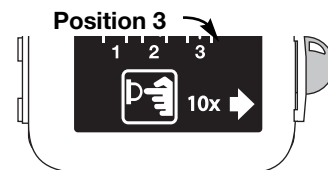


Fig. 10

FONCTIONNEMENT DU EZ-Link^{MC}

Le système EZ-Link^{MC} permet d'utiliser ces accessoires optionnels :

Cultivateur	TBGC
Edger	TBLE
Taille-haies	TBAH
Désherbeuse à arbre droit	TBSS
Turbosouffleuse	TBTB
Scie à long manche	TBPS
Débroussailluse	TBBC*



AVERTISSEMENT: Avant d'utiliser tout accessoire, veuillez lire et comprendre le manuel accompagnant l'accessoire. Suivez toutes les informations relatives à la sécurité qui y figurent.

Retrait de l'accessoire de coupe ou autre



AVERTISSEMENT: pour éviter des blessures graves, éteignez l'appareil avant d'enlever ou d'installer des accessoires.

1. Dévissez le bouton vers la gauche (Fig. 11).

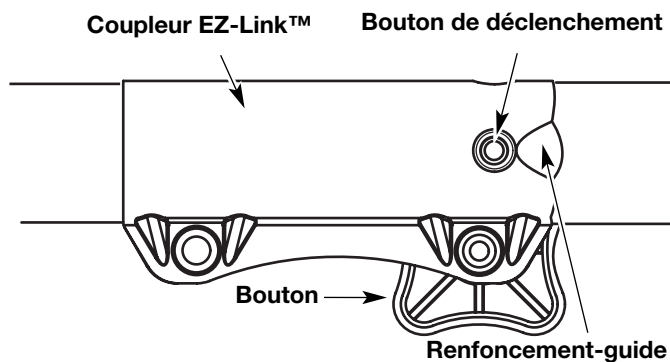


Fig. 11

2. Appuyez sur le bouton de déclenchement et maintenez-le enfoncé (Fig. 11).
3. Tenez fermement le corps de l'arbre supérieur et retirez l'accessoire de coupe ou autre du coupleur EZ-Link^{MC} (Fig. 12).

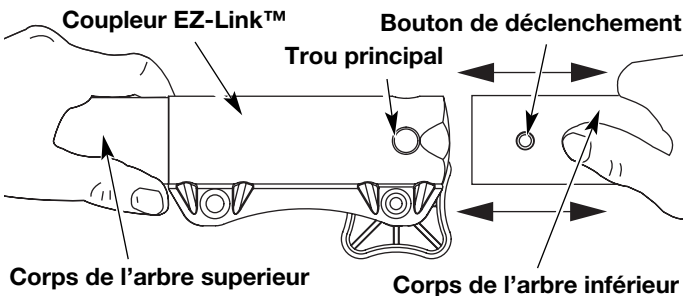


Fig. 12

Installation de l'accessoire de coupe ou autre

NOTE : pour faciliter l'installation ou le retrait d'accessoires, placez l'appareil au sol ou sur un établi.

1. Dévissez le bouton vers la gauche (Fig. 11).
2. Tenez fermement l'accessoire et enfoncez-le tout droit dans le coupleur EZ-Link^{MC} (Fig. 12).



MISE EN GARDE: verrouillez le bouton de déclenchement dans le trou principal (Fig. 12) et vissez bien le bouton avant de faire marcher l'appareil.

NOTE : aligner le bouton de déclenchement avec le renforcement-guide facilitera l'installation (Fig. 11).

3. Serrez le bouton en le tournant à droite (Fig. 13).

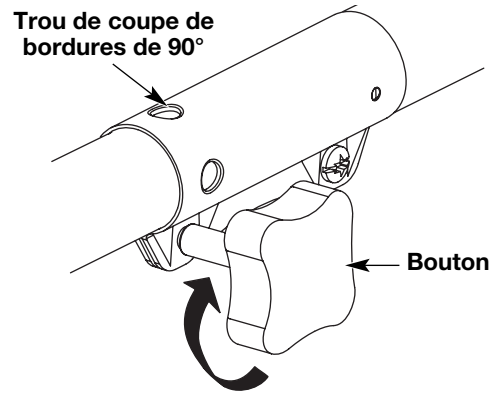


Fig. 13

Pour couper les bordures à l'aide de la tête d'accessoire de coupe sur les modèle EZ-Link^{MC}, verrouillez le bouton de déclenchement de l'accessoire de coupe dans le trou de 90° (Fig. 13).



MISE EN GARDE: l'accessoire de coupe et autres ajouts du système EZ-Link^{MD} doivent utiliser le trou principal sauf indication contraire de leurs manuels. L'utilisation du mauvais trou pourrait causer des blessures graves ou endommager l'appareil.

TENUE DE LA DÉSHERBEUSE



AVERTISSEMENT: portez toujours des protections (yeux, oreilles, pieds et corps) pour diminuer les risques de blessures durant l'utilisation de l'appareil.

Avant de faire marcher l'appareil, tenez-vous en position de fonctionnement (Fig. 14). Vérifiez les points suivants:

- L'opérateur porte une visière et des vêtements appropriés.
- Le bras droit est légèrement plié et la main tient l'arbre par sa prise.
- Le bras gauche est droit et la main tient la poignée.
- L'appareil est au-dessous de la ceinture.
- L'accessoire de coupe est parallèle au sol et touche facilement la végétation sans que l'opérateur ne doive se pencher.

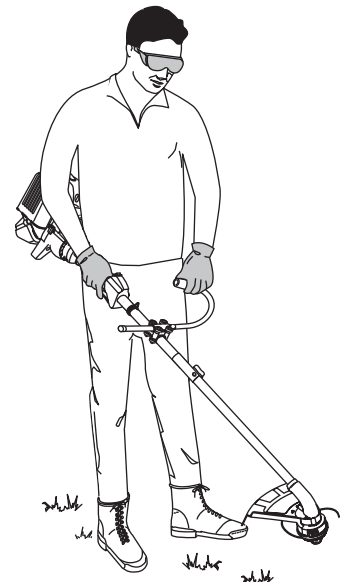


Fig. 14

RÉGLAGE DE LA LONGUEUR DU FIL



AVERTISSEMENT: n'enlevez pas ni n'altérez l'ensemble de la lame coupante. Un excès de fil surchauffera l'embrayage. Ceci pourrait causer des blessures graves ou endommager l'appareil.

L'accessoire de coupe Bump Head^{MC} vous permet de donner du fil sans arrêter le moteur. Pour avoir plus de fil, tapez doucement l'accessoire de coupe sur le sol (Fig. 15) tout en faisant marcher la désherbeuse à haut régime.

REMARQUE : gardez toujours le fil bien déroulé. Il devient plus difficile de donner du fil à mesure que le fil de coupe devient plus court.

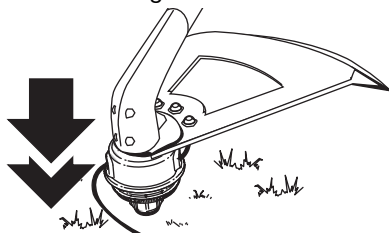


Fig. 15

Chaque fois que vous donnez un coup sur la tête, vous déroulez environ 25,4 mm (1 po) de fil. La lame du protecteur d'accessoire de coupe est conçue pour couper le fil à la bonne longueur si vous déroulez trop de fil. Pour de meilleurs résultats, tapez la tête Bump Head^{MC} sur un sol dégagé ou dur. Si vous donnez du fil dans un lieu d'herbe haute, vous risquez de caler le moteur. Gardez toujours le fil bien déroulé. Il devient plus difficile de donner du fil à mesure que le fil de coupe se raccourci.

REMARQUE : ne posez pas la tête Bump Head^{MC} sur le sol lorsque l'appareil est en marche.

Le fil peut se briser dans les cas suivants :

- Happement de corps étrangers
- Usure normale du fil
- Coupe de mauvaises herbes épaisses à longues tiges
- Forcer le fil dans des objets comme des murs ou des poteaux de clôture

CONSEILS POUR BIEN DÉSHERBER

- Pour meilleurs les résultats qui taillent, opérer l'unité à plein étrangle.
- Le bon angle pour l'accessoire de coupe est parallèle au sol.
- Ne forcez pas l'accessoire. Coupez avec la pointe du fil (surtout le long des murs). Utiliser plus que la pointe diminue l'efficacité de la coupe et peut surcharger le moteur.
- Coupez l'herbe de plus de 200 mm (8 po) en procédant de haut en bas par petits incréments pour éviter d'user le fil prématurément ou de freiner le moteur.
- Coupez de droite à gauche chaque fois que possible. Cela améliore l'efficacité de coupe de l'appareil et les résidus de coupe sont projetés loin de l'opérateur.
- Déplacez lentement la désherbeuse dans et hors de la zone de coupe à la hauteur voulue. Procédez d'avant en arrière ou d'un côté à l'autre. Les coupes de longueur plus courte donnent les meilleurs résultats.
- Ne désherbez que lorsque l'herbe et les mauvaises herbes sont sèches.
- La durée de vie de votre fil de coupe dépend
 - de l'application des techniques de coupe précédentes
 - du type de végétation à couper
 - du lieu de coupe

Par exemple, le fil s'use plus vite si vous coupez le long d'un mur de fondation que si vous coupez autour d'un arbre.

COUPE DÉCORATIVE

La coupe décorative consiste à déblayer la végétation autour des arbres, des bornes, des clôtures, etc. Tournez entièrement l'appareil de manière à ce que l'accessoire de coupe soit à un angle de 30° par rapport au sol (Fig. 16).

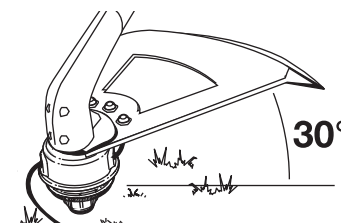


Fig. 16

INSTRUCTIONS D'ENTRETIEN ET RÉPARATIONS

PROGRAMME D'ENTRETIEN

L'entretien doit respecter la fréquence indiquée dans le tableau ci-dessous. Il doit également faire partie de toute mise au point saisonnière.

REMARQUE : certaines procédures d'entretien nécessitent des compétences ou des outils particuliers. Si vous n'êtes pas sûr de pouvoir les entreprendre, emmenez votre appareil dans un atelier, chez un technicien ou un concessionnaire agréé spécialisé dans les réparations de moteurs d'outils mécaniques de plein air.

REMARQUE : l'entretien, le remplacement ou la réparation des dispositifs et systèmes antipollution peuvent être effectués par tout atelier, technicien ou concessionnaire agréé spécialisé dans les réparations de moteurs d'outils mécaniques de plein air.



AVERTISSEMENT: pour éviter tout accident, n'effectuez jamais l'entretien ou des réparations quand l'appareil fonctionne. Effectuez-les toujours lorsqu'il est froid. Débranchez le câble de la bougie pour prévenir la mise en route.

FRÉQUENCE	ENTRETIEN REQUIS	RÉFÉRENCE
Avant le démarrage du moteur	Remplissez le réservoir de carburant frais Vérifiez l'huile	Page F4 Page F9
Toutes les 10 heures	Nettoyez le filtre à air et lubrifiez-le de nouveau	Page F10
Premier changement après 10 heures Toutes les 25 heures après Toutes les 25 heures	Changez l'huile Changez l'huile Nettoyez le pare-étincelles	Page F10 Page F10 Page F13
10 heures pour un moteur neuf Toutes les 25 heures Toutes les 25 heures	Vérifiez et réglez le jeu entre soupape et culbuteur Vérifiez et réglez le jeu entre soupape et culbuteur Vérifiez l'état de la bougie et l'écartement des électrodes	Page F11 Page F11 Page F12

INSTALACION DE LA LINEA PARA EL SPEEDSPOOL®



AVERTISSEMENT : n'utilisez jamais de fil, de chaîne ou de cordon à renfort métallique car ils peuvent se briser et se transformer en projectile dangereux.

Use siempre línea de repuesto del fabricante del equipo original de 2,03 mm (0,080 pulgadas). Una línea mayor puede causar un recalentamiento o falla en el motor.

Existen dos métodos para cambiar la línea de corte SpeedSpool®.

- Bobinar el carrete interior con línea nueva
- Instalar un carrete prebobinado

Bobinado del carrete interior con línea nueva

NOTA: No hace falta quitar la perilla percusiva para instalar línea de corte nueva.

1. Corte dos piezas de 2,03 mm (0,080 pulgadas) de línea de corte, de 3 m (10 pies) de largo.
2. Alinee la flecha del carrete interior con la flecha de la



AVERTISSEMENT : utilisez toujours la bonne longueur de fil lorsque vous posez le fil sur l'appareil. Le fil risque de ne pas se dérouler correctement s'il est trop long.

bobina exterior (Fig. 17).

Vista superior del SpeedSpool®

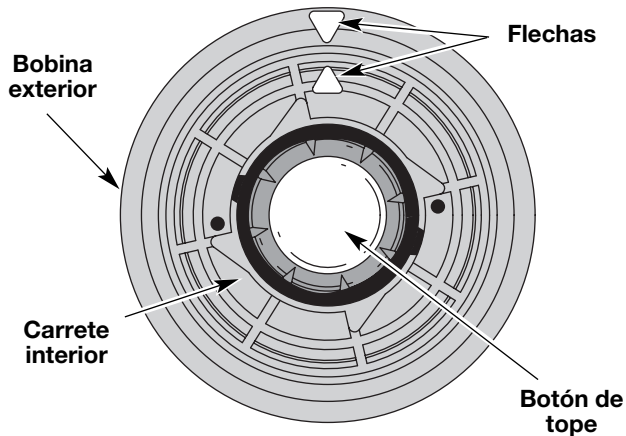


Fig. 17

3. Saque la línea vieja por los orificios de carga y de cierre de línea (Fig. 18 y 19).
4. Inserte una pieza de línea de corte dentro de uno de los ojaillos de la bobina exterior. Páselo hacia arriba a través

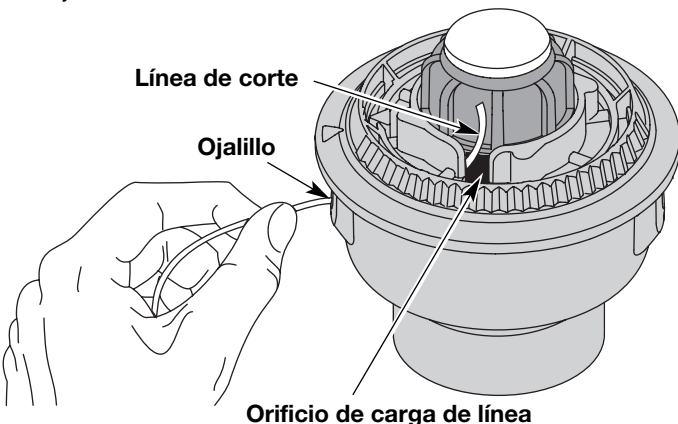
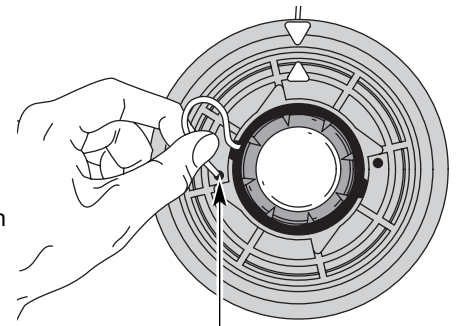


Fig. 18

del orificio de carga del carrete interior (Fig. 18). No doble la línea al insertarla en el ojaillo.

5. Inserte la línea en el orificio de cierre. No empuje la línea más de 12,7 mm (1/2 pulgada) dentro del orificio de cierre. Cuando la línea está bien insertada, formará un bucle pequeño (Fig. 19).



Orificio de cierre de línea

Fig. 19

6. Saque la línea de la bobina exterior hasta que esté tirante contra el carrete interior (Fig. 20).

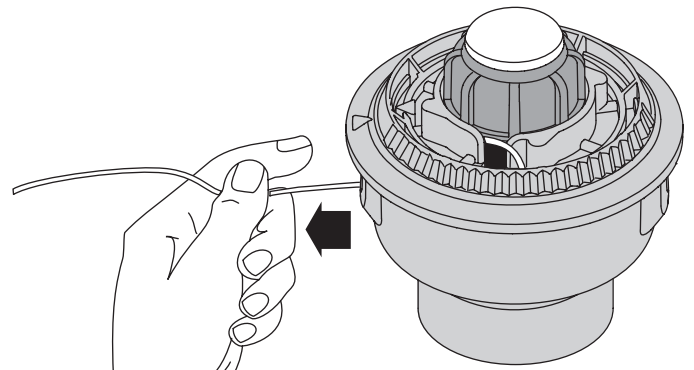


Fig. 20

7. Repita los pasos 4 a 6 con la segunda pieza de línea.
8. Sostenga la bobina exterior. Bobine el carrete interior en sentido antihorario hasta que queden alrededor de 102 mm (4 pulgadas) de línea (Fig. 21).

NOTA: No bobine el carrete interior antes de instalar la segunda pieza de línea.

9. Si el bobinado de la línea se torna dificultoso o la línea se enreda, tire de los extremos de la línea de la bobina. Continúe bobinando el carrete interior en sentido antihorario (Fig. 22).

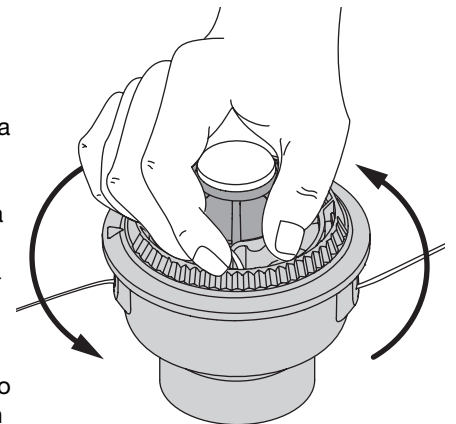


Fig. 21

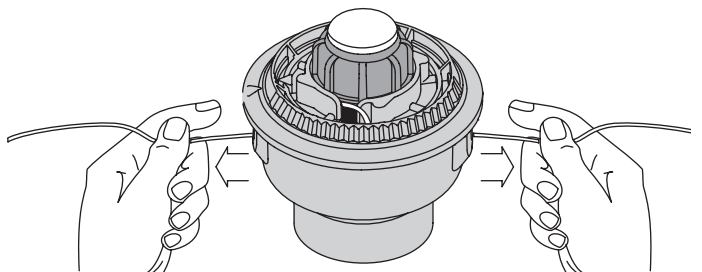


Fig. 22

Instalación de un carrete interior prebobinado

1. Saque la perilla percusiva, el resorte y el sello de espuma girando la perilla percusiva en sentido antihorario (Fig. 23).
2. Saque el carrete interior viejo con la línea existente fuera de la bobina exterior.
3. Inserte los extremos de la línea de corte del nuevo carrete interior dentro de los ojillos de la bobina exterior (Fig. 24). Coloque el nuevo carrete interior con la flecha hacia arriba dentro de la bobina exterior.
4. Sostenga el carrete interior en su lugar e instale la botón de tope, el resorte y el sello de espuma presionando y girando la botón de tope en sentido horario. Tome los extremos y tire con firmeza para soltar la línea de las ranuras de fijación en el carrete interior (Fig. 23).

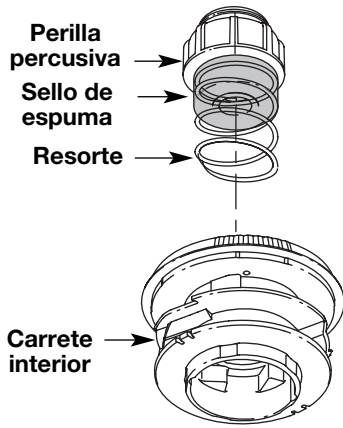


Fig. 23

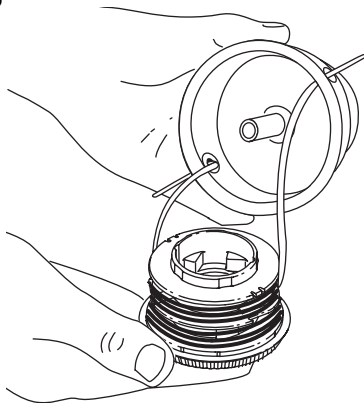


Fig. 24

Desconexión del carrete interior

Si el SpeedSpool® no suelta línea en forma correcta, tire firmemente de los extremos de la línea de la bobina (Fig. 22). Si al hacer esto la línea no se suelta, siga las instrucciones de *limpieza del SpeedSpool®* a continuación.

LIMPIEZA DEL SPEEDSPOOL®

La limpieza de SpeedSpool® puede ser necesaria:

- Para sacar línea enredada o en exceso
- Si el bobinado del SpeedSpool® se torna dificultoso o no opera en forma correcta cuando golpea la cabeza contra el suelo

1. Sostenga la bobina exterior y desenrosque la perilla percusiva en sentido antihorario (Fig. 25).
2. Saque la botón de tope, el resorte y el sello de espuma (Fig. 23).
3. Saque el carrete interior con la línea existente de la bobina exterior (Fig. 24).
4. Saque toda la línea que haya en el carrete interior antes de limpiarlo. Saque todos los residuos o pasto de la perilla, resorte, carrete interno y sello de espuma. Lave el carrete interior con agua jabonosa tibia (Fig. 26).

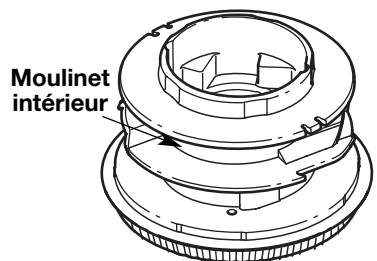


Fig. 26

5. Limpie el eje y la superficie interior de la bobina exterior. Para limpiar el eje debajo del émbolo, empuje el émbolo hacia abajo (Fig. 27). Saque toda la suciedad o residuos del eje.
- NOTA:** El carrete interior debe estar seco por completo antes de volver a instalarlo en la bobina exterior. No lubrique el ensamble del carrete interior ni de la bobina exterior.
6. Coloque el carrete interior en la bobina exterior.
 7. Coloque la botón de tope, el resorte y el sello de espuma en la bobina exterior (Fig. 23).
 8. Ajuste la botón de tope presionando hacia abajo y girándola en sentido horario.
 9. Instale la línea nueva según se indica en *Instalación de la línea para el SpeedSpool®*.

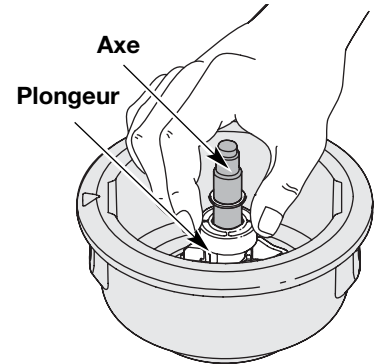


Fig. 27

VÉRIFICATION DU NIVEAU D'HUILE



MISE EN GARDE: Pour éviter de trop user le moteur ou endommager l'appareil, maintenez toujours l'huile du carter à un bon niveau. N'utilisez jamais l'appareil si le niveau est en dessous du bas de la jauge.

Nous ne saurions trop insister sur l'importance de la vérification du niveau d'huile du carter moteur et de son maintien. Vérifiez l'huile avant chaque utilisation :

1. Arrêtez le moteur et laissez l'huile s'écouler dans le carter moteur.
2. Placez l'appareil sur une surface horizontale plane avant de relever correctement le niveau d'huile.
3. Empêchez l'accumulation de saleté, de résidus de coupe, etc. dans le moteur. Nettoyez la zone autour du bouchon / jauge d'huile avant de le retirer.

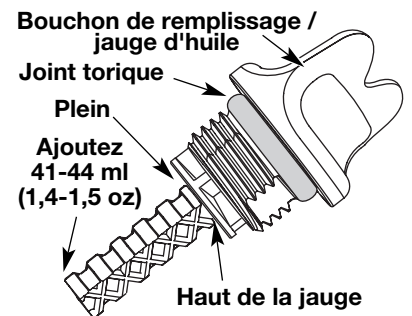


Fig. 28

4. Retirez le bouchon / jauge d'huile et essuyez toute trace d'huile. Replacez-le en l'enfonçant bien.
5. Retirez le bouchon de remplissage / jauge d'huile et vérifiez le niveau d'huile. L'huile devrait atteindre le haut de la jauge (Fig. 28).
6. Si le niveau est trop bas, ajoutez un peu d'huile par l'orifice et revérifiez (Fig. 29). Continuez jusqu'à ce que le niveau d'huile atteigne le haut de la jauge.

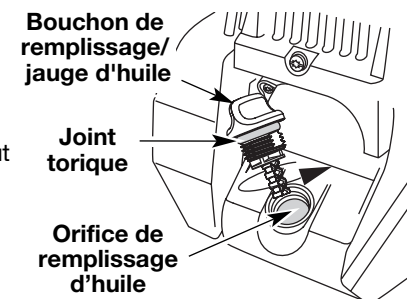


Fig. 29

REMARQUE : Ne remplissez pas trop l'appareil.

REMARQUE : Assurez-vous que le joint torique est mis sur le bouchon de remplissage / jauge d'huile au moment de la vérification et du changement d'huile (Fig. 29).

CHANGEMENT D'HUILE

Si le moteur est neuf, changez l'huile après les 10 premières heures d'utilisation. Mieux vaut changer l'huile lorsque le moteur est encore chaud. Cela lui permet de s'écouler librement et d'emporter les impuretés.

1. Débranchez le couvre-borne de bougie pour empêcher le démarrage.



AVERTISSEMENT : Portez toujours des gants pour éviter tout risque de blessures lorsque vous manipulez l'appareil

2. Retirez le bouchon de remplissage / jauge d'huile.
3. Versez l'huile de l'orifice de remplissage dans un récipient en inclinant l'appareil à la verticale (Fig. 30). Allouez assez de temps pour une vidange complète.

4. Essuyez les résidus d'huile et nettoyez toute trace d'huile déversée. Éliminez l'huile selon les règlements fédéral, provincial et municipal en vigueur.

5. Remplissez de nouveau le carter moteur de 90 ml (3,04 oz) d'huile SAE 30 SF, SG, SH.

REMARQUE : Mesurez la quantité nécessaire à l'aide de la bouteille et de la buse utilisées lors de la mise en service. 90 ml (3,04 oz) correspond environ au haut de l'étiquette de la bouteille (Fig. 31). Vérifiez le niveau d'huile avec la jauge. S'il est trop bas, ajoutez un peu d'huile par l'orifice et revérifiez Ne remplissez pas trop (Fig. 31).

6. Remplacez le bouchon de remplissage / jauge d'huile.

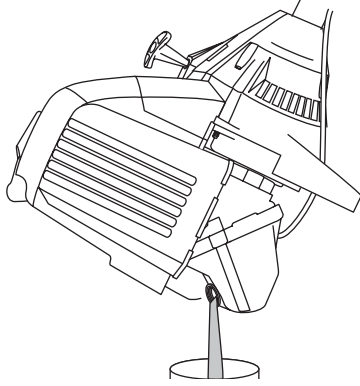


Fig. 30

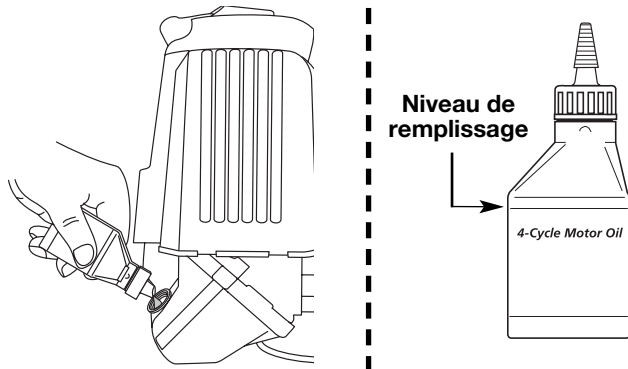


Fig. 31

7. Rebranchez le couvre-borne de bougie.

ENTRETIEN DU FILTRE À AIR



AVERTISSEMENT: Pour éviter des blessures graves, éteignez toujours l'appareil et laissez-le refroidir avant tout nettoyage ou entretien.

Nettoyage du filtre à air

Nettoyez et relubrifiez le filtre à air à toutes les 10 heures de fonctionnement. C'est l'un des éléments les plus importants pour l'entretien. Tout manquement à l'entretien du filtre à air peut entraîner une baisse de performances ou causer des dégâts permanents à votre moteur.

1. Ouvrez le couvercle du filtre à air Enfonchez la languette à droite du couvercle, tirez celui-ci vers vous puis vers la gauche (Fig. 32).

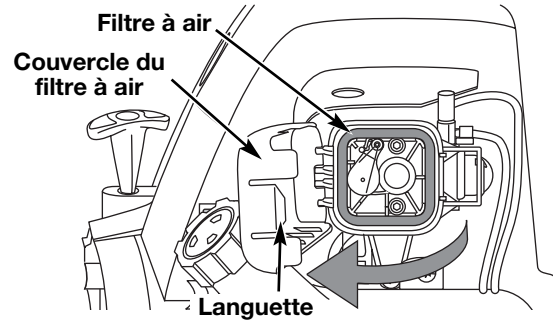


Fig. 32

REMARQUE : Il peut s'avérer nécessaire de retirer le bouchon du réservoir pour enlever le couvercle du filtre.

2. Retirez le filtre à air (Fig. 32).
3. Lavez le filtre dans un mélange d'eau et de détergent (Fig. 33). Rincez le filtre abondamment et laissez-le sécher.
4. Appliquez une quantité suffisante d'huile moteur propre SAE 30 pour enduire légèrement le filtre (Fig. 34).
5. Pressez le filtre pour répartir et drainer l'excédent d'huile (Fig. 35).
6. Remplacez le filtre (Fig. 36).

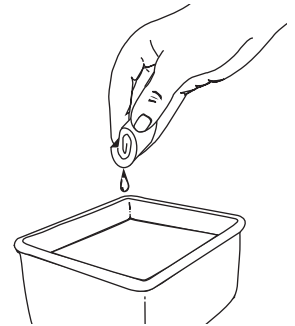


Fig. 33

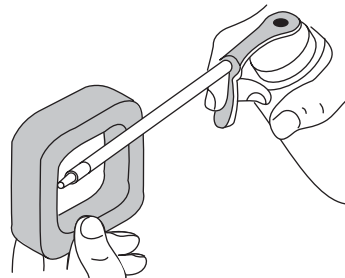


Fig. 34

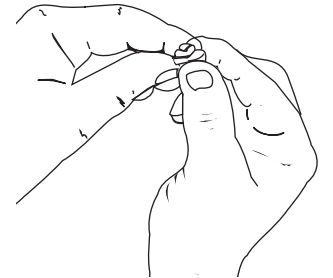


Fig. 35

REMARQUE : Si vous faites fonctionner l'appareil sans filtre à air, vous **ANNULEREZ** la garantie.

7. Réinstallez le couvercle du filtre à air Placez les crochets à gauche du filtre à air dans les fentes à gauche de la plaque arrière (Fig. 36).

REMARQUE : Il peut s'avérer nécessaire de retirer le bouchon du réservoir pour réinstaller le couvercle du filtre.

8. Pivotez le couvercle vers la droite jusqu'à ce que la languette du couvercle du filtre s'enfonce d'un déclic dans la plaque arrière (Fig. 37).

9. Remplacez le bouchon du réservoir si vous l'aviez retiré.

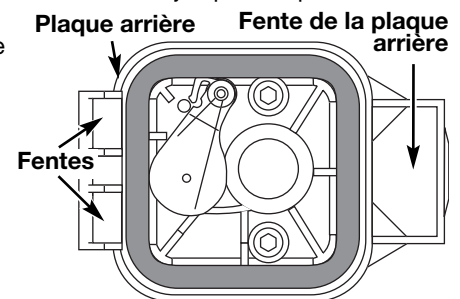


Fig. 36

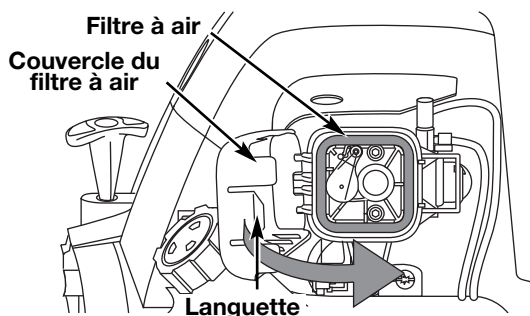


Fig. 37

RÉGLAGE DU CARBURATEUR

La vitesse de ralenti du moteur est réglable à l'aide d'une vis de réglage accessible par un trou situé sur le dessus du couvercle du moteur (Fig. 38).

REMARQUE : Un réglage négligé peut sérieusement endommager l'appareil. Confiez les réglages de carburateur à un concessionnaire agréé.

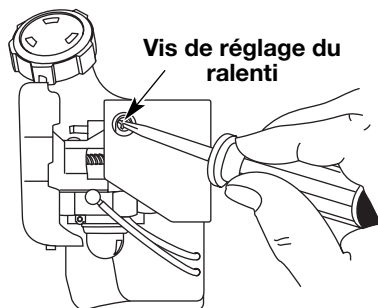


Fig. 38

Vérification du carburant

En général, si l'appareil ne fonctionne pas correctement, c'est que le carburant est vieux. Videz puis remplissez le réservoir de carburant sans plomb frais et propre avant d'effectuer des réglages. Voir *Informations sur l'huile et le carburant*.

Nettoyage du filtre à air

L'état du filtre à air est très important pour le fonctionnement de l'appareil. Un filtre à air sale restreint le débit d'air et affecte le mélange de carburant/air. On confond souvent cela avec un mauvais réglage du carburateur. Vérifiez l'état du filtre à air avant de régler la vis de réglage de ralenti. Voir *Entretien du filtre à air*.

Réglage de la vis de réglage de ralenti



AVERTISSEMENT: une fois l'appareil éteint, pour éviter des blessures graves assurez-vous que l'accessoire de coupe est arrêté avant de poser l'appareil.

Si le moteur ne se met toujours pas au ralenti après vérification du carburant et nettoyage du filtre à air, réglez la vis de ralenti comme suit :

1. Démarrez le moteur et laissez-le tourner à haut régime pendant une minute pour se réchauffer.
2. Relâchez le levier d'accélérateur et laissez le moteur au ralenti. Si le moteur s'arrête, insérez un petit tournevis à embout cruciforme ou à tête plate dans le trou du couvercle du moteur (Fig. 38). Vissez la vis de réglage du ralenti de 1/8 de tour à la fois (selon le besoin) jusqu'à ce que le moteur tourne au ralenti.

REMARQUE : l'accessoire de coupe ne devrait pas tourner lorsque le moteur est au ralenti.

3. S'il tourne, **dévissez** la vis de ralenti de 1/8 de tour à la fois (selon le besoin) pour réduire la vitesse de ralenti.

La vérification de carburant, le nettoyage du filtre à air et le réglage de la vis de ralenti devraient résoudre la plupart des problèmes de moteur. Dans le cas contraire et si :



AVERTISSEMENT: il se peut que l'accessoire de coupe tourne pendant le réglage de la vitesse de ralenti. Portez des vêtements protecteurs et respectez toutes les consignes de sécurité pour éviter des blessures graves.

- le moteur ne se met pas au ralenti
- le moteur hésite ou cale lors d'une accélération
- le moteur perd de sa puissance

Faites régler le carburateur par un distributeur agréé.

JEU ENTRE SOUPE ET CULBUTEUR

Ceci nécessite de démonter le moteur. Si vous ne vous sentez pas à l'aise de le faire, confiez l'appareil à un centre de service agréé.

REMARQUE : Inspectez le jeu entre soupape et culbuteur à l'aide d'une jauge d'épaisseur après les 10 premières heures de fonctionnement, puis par intervalle de 25 heures par la suite.

- Attendez que le moteur soit froid avant de vérifier ou de régler le jeu de la soupape.
 - Faites-le à l'intérieur, dans un endroit propre et sans poussière.
1. Retirez le couvercle du silencieux en appuyant sur le coin à l'aide d'un tournevis à lame plate (Fig. 39). Glissez les encoches sur les côtés du couvercle par-dessus les languettes du couvercle du moteur et retirez le couvercle.
 2. Enlevez les deux vis (2) du haut du couvercle du moteur à

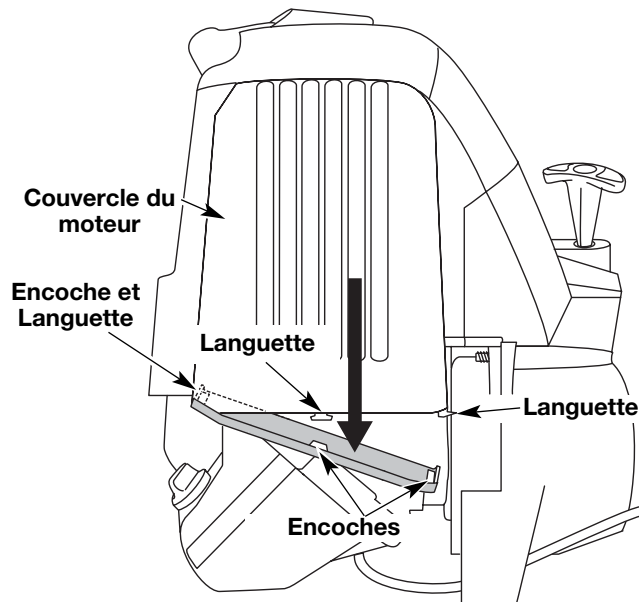


Fig. 39

l'aide d'un tournevis à lame plate ou T-25 Torx (Fig. 40).

3. Enlevez la vis derrière le couvercle du moteur (Fig. 41).
4. Déconnectez le câble de la bougie.
5. Nettoyez toute saleté de la bougie. Retirez la bougie de la culasse en tournant la douille de 5/8 po à gauche.
6. Déposez le couvercle du moteur (Fig. 40).
7. Nettoyez toute saleté autour du cache-culbuteur. Retirez la vis retenant le cache-culbuteur à l'aide d'un tournevis à lame plate large ou à mèche no. T-25 Torx (Fig. 42). Enlevez le cache-culbuteur et le joint.
8. Tirez lentement sur la corde de démarrage pour ramener le piston au sommet de sa course dit « point mort haut ». Vérifiez que :
 - Le piston est au sommet de sa course lorsqu'on regarde par le trou de la bougie (Fig. 42)

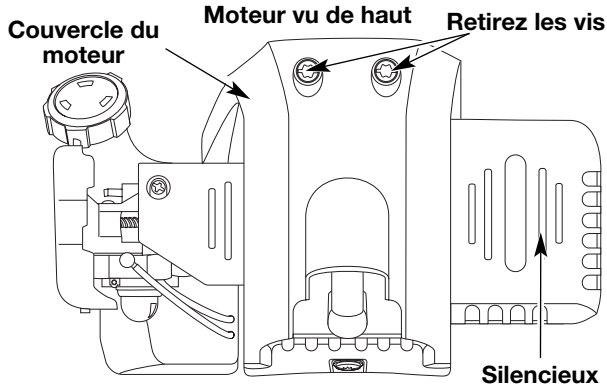


Fig. 40

• Les deux culbuteurs se déplacent librement et les deux soupapes sont fermées. Si ce n'est pas le cas, répétez la procédure.

9. Glissez la jauge d'épaisseur entre le culbuteur et le ressort de rappel de la soupape. Mesurez le jeu entre la tige de soupape et le culbuteur (Fig. 43). Faites-le pour les soupapes d'admission et d'échappement.

LL'écart de jeu recommandé pour l'admission et l'échappement est de 0,076 – 0,152 mm (0,003 – 0,006 po). Servez-vous d'une jauge d'épaisseur d'automobile standard de 0,127 mm (0,005 po). La jauge d'épaisseur devrait pouvoir glisser entre le culbuteur et la tige de soupape en rencontrant une faible résistance mais sans coller (Fig. 43 et 44).

10. Si le jeu n'est pas conforme:

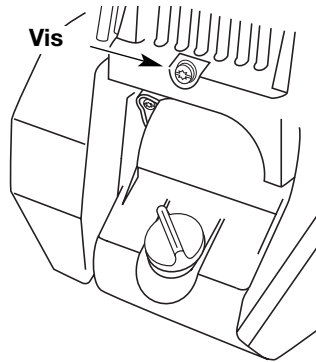


Fig. 41

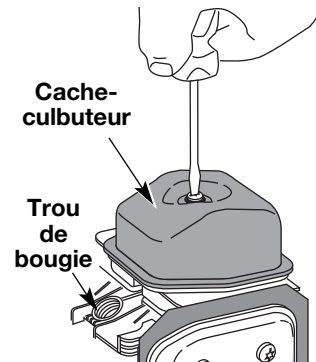


Fig. 42

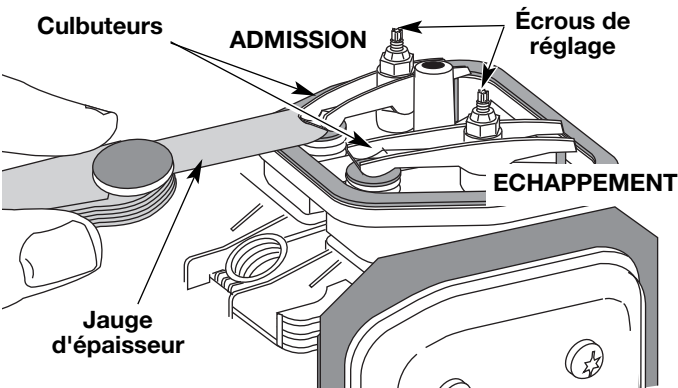


Fig. 43

- a. Tournez l'écrou de réglage à l'aide d'une clé de 8 mm (5/16 po) ou d'un tournevis à embout hexagonal (Fig. 44).
 - Pour augmenter le jeu, tournez l'écrou de réglage vers la gauche.
 - Pour réduire le jeu, tournez l'écrou de réglage vers la droite.
- b. Revérifiez les deux jeux de soupape et réglez-les au besoin.

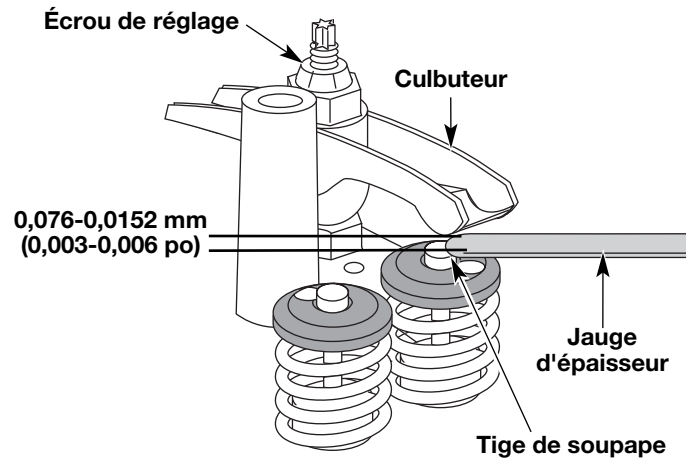


Fig. 44

11. Remplacez le cache-culbuteur en mettant un joint neuf. Serrez la vis avec un couple de serrage de 2,2–3,4 N•m (12 po•lb).
12. Remplacez le couvercle du moteur. Vérifiez l'alignement du couvercle avant de serrer les vis. Vissez bien.
13. Remplacez le couvercle du silencieux. Glissez avec un déclic les encoches sur les côtés du couvercle par-dessus les languettes du couvercle du moteur (Fig. 39).
14. Vérifiez l'état de la bougie et remplacez-la. Voir *Remplacement de la bougie*.
15. Remplacez le câble de la bougie.

REMPACEMENT DE LA BOUGIE

Utilisez une bougie 791-180852B. L'écartement correct est de 0,655 mm (0,025 po). Retirez la bougie après 25 heures de fonctionnement et vérifiez son état.

1. Arrêtez le moteur et laissez-le refroidir. Saisissez fermement le câble de la bougie et retirez le capuchon de celle-ci.
2. Nettoyez toute saleté de la bougie. Retirez la bougie de la culasse en tournant la douille de 5/8 po à gauche.
3. Remplacez toute bougie fendillée, encrassée ou sale. Réglez l'écartement à 0,655 mm (0,025 po) à l'aide d'une jauge d'épaisseur (Fig. 45).
4. Installez la bougie ajustée dans la culasse. Tournez la douille de 5/8 po à droite jusqu'à bien la visser.

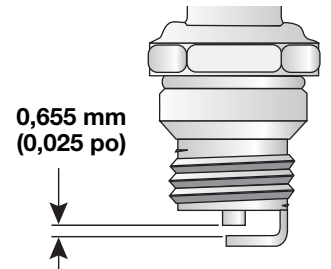


Fig. 45

Si vous utilisez une clé dynamométrique, vissez selon les valeurs suivantes :

12,3-13,5 Nom (110-120 poolb).

Évitez de trop serrer.



AVERTISSEMENT: évitez de sabler, gratter ou nettoyer les électrodes car de la saleté dans le moteur pourrait endommager le cylindre.

ENTRETIEN DU PARE-ÉTINCELLES

1. Retirez le couvercle du silencieux. Voir *Jeu entre soupape et culbuteur*.
2. Retirez la vis retenant le couvercle du pare-étincelles au silencieux à l'aide d'un tournevis à lame plate ou à mèche no. T-20 Torx (Fig. 46).

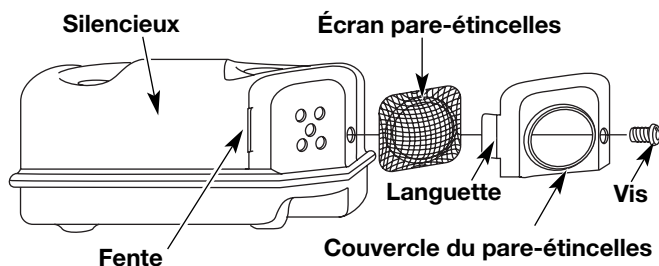


Fig. 46

3. Retirez la languette du couvercle du pare-étincelles hors du silencieux. Retirez le couvercle du pare-étincelles.
4. Retirez l'écran du pare-étincelles du couvercle de celui-ci.
5. Nettoyez l'écran du pare-étincelles avec une brosse métallique ou remplacez-le.
6. Remplacez l'écran, le couvercle et la vis du pare-étincelles.

NETTOYAGE



AVERTISSEMENT: pour éviter des blessures graves, éteignez toujours la désherbeuse et laissez-la refroidir avant tout nettoyage ou entretien.

Nettoyez l'extérieur de l'appareil à l'aide d'une petite brosse. N'utilisez pas de détergents concentrés. Les nettoyants ménagers contenant des huiles aromatiques tel que le pin et le citron, et les solvants tel que le kérosène peuvent endommager le boîtier ou la poignée en plastique. Essuyez toute trace d'humidité à l'aide d'un tissu doux.

ENTREPOSAGE

- Ne rangez jamais l'appareil plein de carburant dans un lieu où les vapeurs peuvent atteindre une flamme vive ou des étincelles.
- Laissez le moteur refroidir avant de l'entreposer.
- Rangez l'appareil dans un lieu verrouillé pour éviter toute utilisation ou accident indésirable.
- Rangez l'appareil dans un lieu sec et bien aéré.
- Rangez l'appareil hors de la portée des enfants.

ENTREPOSAGE DE LONGUE DURÉE

1. Videz toute l'essence du réservoir dans un récipient. N'utilisez pas d'essence stockée pendant plus de 60 jours. Éliminez le vieux carburant conformément aux règlements fédéral, provincial et municipal en vigueur.
2. Démarrez le moteur, puis laissez-le tourner jusqu'à ce qu'il cale. Cela permet de s'assurer que le carburateur s'est vidé de son carburant.
3. Laissez le moteur refroidir. Retirez la bougie et versez environ 30 ml (1 oz) d'huile moteur de qualité dans le cylindre. Tirez lentement sur la corde de démarrage pour bien distribuer l'huile. Remplacez la bougie.

REMARQUE : Retirez la bougie et videz toute l'huile du cylindre avant de mettre en marche la désherbeuse après une période d'entreposage.

4. Changez l'huile. Voir *Changement d'huile*. Éliminez la vieille huile conformément aux règlements fédéral, provincial et municipal en vigueur.
5. Nettoyez soigneusement l'appareil et vérifiez qu'il ne comporte pas de pièces desserrées ou endommagées. Réparez ou remplacez les pièces endommagées, puis serrez les vis, écrous et boulons desserrés. L'appareil est alors prêt pour l'entreposage.

TRANSPORT

- Laissez le moteur refroidir avant le transport.
- Vidangez tout le carburant de l'appareil.
- Serrez le bouchon du réservoir avant le transport.
- Attachez bien l'appareil lors du transport.

GUIDE DE DÉPANNAGE

LE MOTEUR REFUSE DE DÉMARRER

CAUSE

La commande Marche/Arrêt Stop est en position ARRÊT
Réservoir de carburant vide
La poire d'amorçage n'a pas été pressée assez fort
Carburant vieux
Bougie encrassée
Pare-étincelles colmaté

SOLUTION

Mettez-la en position MARCHE
Remplissez-le de carburant frais
Pressez-la complètement et lentement de 10 fois
Drainez le réservoir/ajoutez du carburant frais
Remplacez ou nettoyez-la
Nettoyez ou remplacez le pare-étincelles

LE MOTEUR REFUSE DE SE METTRE AU RALENTI

CAUSE

Filtre à air bouché
Carburant vieux
Mauvais réglage du carburateur

SOLUTION

Remplacez ou nettoyez-le
Drainez le réservoir/ajoutez du carburant frais
Ajustez selon l'instruction

LE MOTEUR REFUSE D'ACCÉLÉRER

CAUSE

Carburant vieux
Mauvais réglage du carburateur
Accessoire de coupe engorgé d'herbes
Filtre à air sale
Pare-étincelles colmaté

SOLUTION

Drainez le réservoir/ajoutez du carburant frais
Faites-le régler par un concessionnaire agréé
Arrêtez le moteur et nettoyez l'accessoire
Remplacez ou nettoyez-le
Nettoyez ou remplacez le pare-étincelles

LE MOTEUR MANQUE DE PUISSANCE OU SE CALE DURANT LA COUPE

CAUSE

Carburant vieux
Mauvais réglage du carburateur
Bougie encrassée
Pare-étincelles colmaté

SOLUTION

Drainez le réservoir/ajoutez du carburant frais
Faites-le régler par un concessionnaire agréé
Remplacez ou nettoyez-la
Nettoyez ou remplacez le pare-étincelles

LA TÊTE DE COUPE NE FAIT PAS AVANCER LE FIL

CAUSE

Accessoire de coupe engorgé d'herbes
Accessoire de coupe mal aligné
Moulinet intérieur bloqué
Tête de coupe sale
Fil soudé
Fil tordu durant la recharge
Quantité insuffisante de fil exposée

SOLUTION

Arrêtez le moteur et nettoyez l'accessoire
Chargez du fil neuf
Remplacez le moulinet
Nettoyez le moulinet intérieur et la bobine extérieure
Démontez et déposez la partie soudée, et rembobinez le fil
Démontez puis rembobinez le fil
Enfoncez le bouton de butée et tirez le fil jusqu'à en extraire 102 mm (4 po) à l'extérieur de l'accessoire de coupe

LE FIL DE COUPE AVANCE DE MANIÈRE INCONTRÔLÉE

CAUSE

Présence d'huile dans la tête de coupe

SOLUTION

Nettoyez l'accessoire de coupe

Si vous avez besoin d'aide, contactez votre concessionnaire agréé.

CARACTÉRISTIQUES

MOTEUR*

Type de moteur	Refroidi par air, 4-temps
Cylindrée	26,2 cc (1,6 po ³)
Régime de fonctionnement.....	7.200+ tr/min
Régime ralenti.....	2.800 - 3.600 tr/min
Type d'allumage.....	Électronique
Contact d'allumage	Interrupteur berceau
Jeu de soupape.....	0,076-0,152 mm (0,003-0,006 po)
Écartement de la bougie	0,655 mm (0,025 po)
Lubrification.....	Huile SAE 30
Contenance en huile du carter moteur	90 ml (3,04 oz)
Carburant	Sans plomb
Carburateur	Membrane, toutes positions
Démarrreur	Rembobinage automatique
Silencieux	Chicane avec protection
Accélérateur	À rappel manuel
Capacité du réservoir de carburant	355 ml (12 oz)

ARBRE D'ENTRAÎNEMENT et ACCESSOIRE DE COUPE*

Logement de l'arbre d'entraînement	Tube acier
Manette des gaz.....	Détente à portée du doigt
Poids de l'appareil (sans carburant, avec poignée, et accessoire de coupe)	5,4 - 6 kg (12-13,5 lb)
Mécanisme de coupe	Speed Spool® tête de coupe à fil double
Bobine de fil	Déclencheur de fil à butée
Diamètre de la bobine de fil	76,2 mm (3 po)
Diamètre du fil	2,03 mm (0,080 po)
Diamètre du chemin de coupe, accessoire de coupe	43,18 cm (17 po)

*Toutes les spécifications contenues dans ce manuel tiennent compte des dernières informations techniques disponibles au moment de mettre sous presse. Nous nous réservons le droit d'y apporter des modifications à tout moment, sans préavis.

Garantie portant sur les normes antipollution de l'EPA et la California

Vos droits et obligations en vertu de cette garantie

Le California Air Resource Board, la Environmental Protection Agency et MTD LLC (MTD) ont le plaisir de présenter la garantie du dispositif antipollution des petits moteurs à usage tout-terrain datant de 2005 et au-delà. Les nouveaux petits moteurs à usage tout-terrain doivent être conçus, construits et équipés pour être conformes aux strictes normes anti-smog. MTD doit garantir le système de contrôle des émissions de votre petit moteur à usage tout-terrain pendant les périodes de temps indiquées ci-dessous à condition que le moteur n'ait pas souffert d'abus, de négligence ou fait l'objet d'un mauvais entretien.

Votre dispositif antipollution peut inclure des pièces diverses tel que le carburateur ou un système d'injection, le dispositif d'allumage et un convertisseur catalytique. Il pourrait aussi inclure des tuyaux, courroies, connecteurs et autres ensembles de pièces relatives aux émissions.

Advenant une situation couverte par la garantie, MTD réparera votre petit moteur à usage tout-terrain sans frais aucun y compris le diagnostic, les pièces et la main d'œuvre.

Les moteurs à usage tout-terrain datant de 2005 et plus sont garantis pendant deux ans. Si une pièce de votre moteur relative aux émissions devenait défectueuse, MTD la réparera ou la remplacera.

Responsabilités du propriétaire en vertu de cette garantie

- En tant que propriétaire d'un petit moteur à usage tout-terrain, vous êtes responsable des entretiens requis indiqués dans votre manuel de l'utilisateur. MTD recommande que vous conserviez tous les reçus d'entretien de votre petit moteur à usage tout-terrain. MTD ne peut toutefois réfuter votre garantie juste parce que vous n'avez pas les reçus ou si vous ne veillez pas à ce que les travaux d'entretien prévus soient effectués.
- En tant que propriétaire d'un petit moteur à usage tout-terrain, sachez que MTD peut refuser de vous couvrir sous garantie si votre moteur ou si une pièce sont défectueux pour cause d'abus, de négligence, d'entretien incorrect ou de modifications non autorisées.
- Il vous incombe de présenter votre petit moteur à usage tout-terrain à un centre de service agréé MTD dès que le problème fait son apparition. Les réparations sous garantie doivent être achevées dans une durée de temps raisonnable ne dépassant en aucun cas 30 jours.
- Si vous avez des questions au sujet de vos droits et responsabilités en vertu de cette garantie, appelez le **1-800-345-8746**.

Garantie du fabricant

- La période de garantie commence à la date où le moteur ou l'équipement est livré à l'acheteur au détail.
- Le fabricant garantit au propriétaire initial et à chaque acheteur subséquent que le moteur est libre de défauts de matériaux et de vices de fabrication pouvant provoquer la défaillance d'une pièce garantie pendant une période de deux ans.
- Toute réparation ou remplacement d'une pièce garantie devra être effectué sans aucun frais au compte du propriétaire par un centre de service MTD agréé. Pour connaître le centre le plus proche de vous, veuillez contact MTD à : **1-800-345-8746**.
- Toute pièce garantie dont le remplacement n'est pas prévu dans le cadre des entretiens requis, ou dont uniquement une inspection normale est prévue selon le principe de "réparation ou remplacement au besoin", est garantie pendant la période de garantie. Toute pièce garantie dont le remplacement est prévu dans le cadre des entretiens requis sera garantie pendant la période de temps allant jusqu'à la date du premier remplacement prévu pour cette pièce.
- Le propriétaire ne subira pas de frais relatifs à un travail de diagnostic qui conclut que la pièce garantie est défectueuse si le travail de diagnostic a été effectué chez un centre de service MTD agréé.
- Le fabricant est responsable de tous les dommages occasionnés aux autres composants du moteur par la défaillance d'une pièce encore sous garantie.
- Les défaillances causées par l'abus, la négligence ou un mauvais entretien ne sont pas couvertes par cette garantie.
- L'utilisation d'un ajout ou de pièces modifiées peut justifier le refus d'une réclamation au titre de la garantie. Le fabricant n'est pas responsable des défaillances des pièces garanties découlant de l'utilisation d'ajouts ou de pièces modifiées.
- Pour déposer une réclamation, adressez-vous au centre de service MTD agréé le plus proche. Les services ou réparations sous garantie sont offerts par tous les centres de service MTD agréés.
- Toutes les pièces de rechange approuvées par le fabricant peuvent être utilisées dans le cadre d'un entretien ou d'une réparation sous garantie de pièces relatives au dispositif antipollution et sont fournies sans frais. Toute pièce de rechange équivalente en termes de performances ou de durabilité peut être utilisée lors d'un entretien ou d'une réparation hors garantie et ne diminue pas les obligations qui incombent au fabricant en vertu de la garantie.
- Les composants suivants sont inclus dans la garantie relative au système antipollution du moteur : filtre à air, carburateur, poire d'amorçage, conduites de carburant, alimentation d'arrivée, filtre à carburant, module d'allumage, bougie et silencieux.

GARANTIE LIMITÉE DU FABRICANT POUR:



La garantie limitée énoncée ci-après est accordée par MTD LLC (« MTD ») et concerne les marchandises neuves achetées et utilisées aux États-Unis, ainsi que dans leurs possessions et territoires.

MTD garantit ce produit contre tout vice de matière ou de façon pendant une période de deux (2) ans à compter de la date d'achat initiale et elle se réserve le choix de réparer ou de remplacer, à titre gratuit, toute pièce présentant un vice de matière ou de façon. Cette garantie limitée ne s'appliquera que dans la mesure où le produit aura été utilisé et entretenu conformément au Guide de l'utilisateur fourni avec le produit et n'aura pas fait l'objet d'un usage inadéquat, abusif, commercial ou négligent, d'un accident, d'un entretien inadéquat, d'une modification, de vandalisme, d'un vol, d'un incendie, de dégâts d'eau ou d'un endommagement résultant d'un autre péril ou d'un désastre naturel. Les dommages résultant de l'installation ou de l'utilisation de tout accessoire ou équipement non approuvé par MTD pour une utilisation avec le(s) produit(s) couvert(s) par le présent guide annuleront la garantie et ce qui concerne les dommages qui en résulteraient éventuellement. La présente garantie est limitée à quatre-vingt-dix (90) jours à compter de la date d'achat au détail initiale pour tout produit MTD utilisé à des fins locatives ou commerciales, ou toute utilisation produisant des revenus.

POUR L'ENTRETIEN-DÉPANNAGE : L'Entretien-dépannage au titre de la garantie est disponible, SUR PRÉSENTATION DE PREUVE D'ACHAT, AUPRÈS DU DISTRIBUTEUR AGRÉÉ LOCAL. Pour obtenir le nom du distributeur agréé local, consulter les Pages Jaunes ou se mettre en rapport avec le Service après-vente de MTD en appelant le **1-800-345-8746** ou en écrivant au P.O. Box 361131, Cleveland OH 44136-0019 ou en appelant le **1-800-668-1238** au Canada. Aucun produit retourné à l'usine sans permission écrite préalable du service après-vente de MTD ne sera accepté.

La garantie limitée n'offre aucune couverture dans les cas suivants :

- A. Mises au point – Bougies, réglages de carburateur, filtres.
- B. Articles d'usure – Bouton de butée, bobines extérieures, fil de coupe, bobines intérieures, poulie de démarrage, cordes de démarrage, courroies d'entraînement.
- C. MTD n'accorde aucune garantie pour les produits vendus ou exportés des États-Unis, de leurs possessions et territoires, exception faite en ce qui concerne les produits vendus par l'intermédiaire de ses canaux agréés de distribution à l'exportation.

MTD se réserve le droit de modifier ou d'améliorer la conception de tout produit MTD sans assumer l'obligation de modifier tout produit d'une fabrication plus ancienne.

Aucune garantie implicite, y compris toute garantie de valeur marchande ou d'adaptation à une fin particulière, ne s'applique après la période applicable de garantie expresse écrite ci-dessus concernant les pièces qui sont identifiées. Aucune autre garantie ou caution expresse, écrite ou orale, à l'exception de celle mentionnée ci-dessus, accordée par toute personne ou entité, y compris tout distributeur ou détaillant, concernant tout produit n'engagera la responsabilité de MTD. Pendant la période de garantie, le remède exclusif est la réparation ou le remplacement du produit dans les conditions énoncées ci-dessus. (Certains états ne permettent pas la limitation de la garantie implicite, il est donc possible que la limitation ci-dessus ne s'applique pas à vous.)

Les clauses énoncées dans la présente Garantie constituent le recours unique et exclusif inhérent aux ventes. MTD ne sera en aucun cas tenue pour responsable de tout dommage indirect ou consécutif ou de dommages comprenant, entre autres mais pas seulement, les dépenses encourues du fait du recours à des services de remplacement ou de substitution pour l'entretien des pelouses, le transport ou des frais connexes, ou les frais entraînés par une location destinée à remplacer provisoirement un produit sous garantie. (Certains états ne permettent pas la limitation de la garantie implicite, il est donc possible que la limitation ci-dessus ne s'applique pas à vous.)

Aucun recouvrement, quel qu'il soit, ne sera d'un montant supérieur au prix du produit vendu. Toute modification des dispositifs de sécurité du produit annulera la présente Garantie. Vous assumez tout risque et toute responsabilité résultant de la perte, de l'endommagement ou du préjudice que vous et votre propriété et/ou d'autres et leur propriété pourront encourir du fait de l'utilisation normale, de la mauvaise utilisation ou de l'empêchement d'utiliser le produit.

La présente garantie limitée n'est accordée qu'à l'acheteur initial, au preneur initial ou à la personne à laquelle le produit a été offert.

Le Droit des États vis à vis de la présente garantie : la présente garantie vous confère certains droits juridiques, et vous pouvez bénéficier d'autres droits, lesquels varient d'une juridiction à l'autre.

Pour obtenir l'adresse du distributeur agréé le plus proche, composer le : **1-800-345-8746** aux États-Unis ou le **1-800-668-1238** au Canada.

MTD LLC

P.O. Box 361131
Cleveland, OH 44136-0019

Manuel del Dueño

Recortador de 4 Ciclos a Gasolina Y26SS

CONSERVE ESTAS INSTRUCCIONES

Llame 1-800-345-8746 en EE.UU. o al 1-800-668-1238 en Canada para obtener una lista de distribuidores de servicio localizados cerca de usted. Para obtener más detalles sobre su unidad, visite nuestro sitio en www.mtdproducts.com.

NO REGRESE SU UNIDAD AL VENDEDOR. PARA SOLICITAR SERVICIO POR LA GARANTIA, DEBERA PRESENTAR PRUEBA DE SU COMPRA.


ESTE PRODUCTO ESTA CUBIERTO POR UNA O MAS PATENTES DE EE.UU., OTRAS PATENTES EN TRAMITE.

El servicio de esta unidad, ya sea durante o después del período cubierto por la garantía, debe ser realizado solamente por un proveedor de servicios autorizado y aprobado.


PARACHISPAS

NOTA: Para los usuarios en tierras forestales de los EE.UU. y en los estados de California, Maine, Oregon y Washington. Todos los terrenos forestales de los EE.UU. y el estado de California (Códigos de Recursos Públicos 4442 y 4443), Oregon y Washington, requieren por decreto, que ciertos motores de combustión interna que se hagan funcionar en zonas boscosas y/o zonas cubiertas por pastizales, estén equipados con un parachispas, que sean mantenidos en buen estado de funcionamiento o que el motor sea construido, esté equipado y sea mantenido para evitar incendios. Consulte los reglamentos pertinentes a esos requisitos con las autoridades estatales o locales. El incumplimiento de esos requisitos puede responsabilizarle o someterle a la imposición de una multa. **Esta unidad fue equipada en la fábrica con un parachispas.** Si requiere sustitución, hay una **Pantalla Parachispas disponible, Pieza # 753-05169** al contactar el departamento de servicio.

CALIFORNIA PROPOSITION 65 WARNING



WARNING



**LAS EMISIONES DEL MOTOR DE ESTE PRODUCTO
CONTIENEN SUBSTANCIAS QUIMICAS QUE EL
ESTADO DE CALIFORNIA CONOCE COMO CAUSANTES
DECANCER, DEFECTOS DE NACIMIENTO U OTROS
DAÑOS REPRODUCTIVOS.**

Toda la información, las ilustraciones y las especificaciones contenidas en este manual se basan en la información más reciente disponible en el momento de impresión del manual. Nos reservamos el derecho de hacer cambios en cualquier momento sin aviso previo.

Copyright© 2005 MTD SOUTHWEST INC. Todos los derechos reservados.



INDICE DE CONTENIDOS

Llamadas a apoyo al cliente	E1
Normas para una operación segura	E2
Información del aceite y del combustible	E3
Instrucciones de ensamble	E4
Conozca su unidad	E4
Instrucciones de arranque y apagado	E5
Instrucciones de operación	E6
Instrucciones de mantenimiento y reparación	E7
Limpieza y almacenamiento	E13
Cuadro de solución de problemas	E14
Especificaciones	E15
Garantía	E15, E20
Lista de Piezas	E17



ADVERTENCIA: Al utilizar la unidad, debe observar las reglas de seguridad. Lea estas instrucciones antes de operar la unidad a fin de garantizar la seguridad del operador y cualquier transeúnte. Guarde estas instrucciones para uso posterior.

NORMAS PARA UNA OPERACIÓN SEGURA

• IMPORTANTE INFORMACION DE SEGURIDAD •

LEA TODAS LAS INSTRUCCIONES

ANTES DE LA OPERACION

- Lea todas las instrucciones con cuidado. Conozca bien los controles y el uso correcto de la unidad.
- No opere esta unidad si está cansado, enfermo, o bajo los efectos del alcohol, drogas o medicamentos.
- Los niños y los adolescentes menores de 15 años no deben operar las unidades, excepto por los adolescentes guiados por un adulto.
- Inspeccione la unidad antes de utilizarla. Cambie las partes dañadas. Verifique si existen pérdidas de combustible. Asegúrese de que los sujetadores estén bien colocados y asegurados. Cambie las partes accesorias de corte que estén quebradas, cascadas o dañadas de cualquier forma. Asegúrese de que el accesorio de corte está bien instalado y ajustado con firmeza. Asegúrese de que la protección accesorio de corte esté bien conectada y colocada según se recomienda.
- Use siempre la línea de repuestos de 0,080 pulg del fabricante del equipo original. No use nunca línea reforzada con metal, alambre, cadena ni sogas, etc. Estas pueden desprenderse y convertirse en un proyectil peligroso.
- Tenga en cuenta el riesgo de lesiones en la cabeza, manos y pies.
- Limpie el área de corte antes de cada uso. Retire todos los objetos como rocas, vidrios rotos, clavos, alambre o cuerda los cuales pueden ser despedidos o enredarse en el accesorio de corte. Aleje a todos los niños, espectadores y animales domésticos. Mantenga todos los niños, espectadores y animales domésticos a un radio de por lo menos 15 m (50 pies); aún así puede existir un riesgo de objetos despedidos contra los espectadores. Los espectadores deben usar protección para sus ojos. Si alguien se le acerca, pare el motor y el accesorio de corte de inmediato.
- Oprima el control del regulador y verifique que regrese automáticamente a la posición de mínima. Haga todos los ajustes o reparaciones antes de usar la unidad.

ADVERTENCIAS DE SEGURIDAD PARA LOS RECORTADORES A GASOLINA



ADVERTENCIA: La gasolina es muy inflamable y sus gases pueden explotar si se encienden. Tome las siguientes precauciones:

- Guarde el combustible en envases que hayan sido diseñados y aprobados para el almacenamiento de dichos materiales.
- Antes de llenar el tanque de combustible, apague siempre el motor y espere que se enfríe. No retire nunca la tapa del tanque de combustible ni cargue combustible mientras el motor esté caliente. No opere nunca la unidad sin la tapa del combustible colocada firmemente en su lugar. Afloje la tapa del combustible lentamente para disipar la presión del tanque.
- Cargue el combustible en un área exterior bien ventilada donde no haya chispas ni llamas. Quite lentamente la tapa del combustible sólo después de apagar el motor. No fume mientras carga el combustible. Limpie de inmediato todo el combustible que se haya derramado.
- Evite crear una fuente de encendido por combustible derramado. No arranque el motor hasta que se hayan disipado los vapores del combustible.
- Aleje la unidad a por lo menos 9,1 m (30 pies), del lugar de carga de combustible antes de arrancar el motor. No fume, mantenga las chispas y las llamas abiertas lejos del área mientras carga el combustible u opera la unidad.

DURANTE LA OPERACION

- No arranque ni opere la unidad en una sala o edificio cerrado. Los gases de escape de monóxido de carbono pueden ser letales en un área cerrada. Opere esta unidad sólo en un área exterior bien ventilada.
- Use lentes o gafas de protección que cumplan con las normas ANSI Z87.1, y protección para sus oídos/audición mientras opere esta unidad. Use siempre una máscara facial o para protegerse contra el polvo si la operación levanta polvo.
- Use pantalones largos y gruesos, botas, guantes y camisa de manga larga. No use ropa holgada, alhajas, pantalones cortos,

sandalias ni esté descalzo. Sostenga el cabello sobre el nivel de los hombros.

- La protección accesorio de corte debe estar siempre colocada en su lugar mientras opere la unidad. No opere la unidad con las dos líneas de corte extendidas, y la línea correcta instalada. No extienda la línea de corte más allá de la longitud de la protección.
 - Esta unidad cuenta con un embrague. El accesorio de corte permanece estacionario cuando el motor está en marcha lenta. Si no lo hace, haga ajustar la unidad por un técnico de servicio autorizado.
 - Ajuste la manija a su tamaño de modo que le brinde el mejor agarre.
 - Asegúrese de que el accesorio de corte no está en contacto con ningún objeto antes de arrancar la unidad.
 - Use la unidad únicamente con la luz del día o con buena luz artificial.
 - Evite arrancar la unidad accidentalmente. Colóquese en posición de inicio siempre que tire de la cuerda de arranque. El operador y la unidad deben estar en una posición estable al comenzar. Lea las instrucciones de Arranque y Apagado.
 - Use la herramienta adecuada. No use esta unidad para ninguna tarea para la cual no ha sido diseñada.
 - No se estire demasiado. Mantenga siempre una posición y equilibrio adecuados.
 - Sostenga siempre la unidad con ambas manos mientras esté en funcionamiento. Sostenga con firmeza tanto el mango como la manija auxiliar.
 - Mantenga las manos, la cara y los pies lejos de todas las partes móviles. No intente tocar ni detener el accesorio de corte mientras gira.
 - No toque el motor, el bastidor del engranaje ni el silenciador. Estas partes se calientan mucho con la operación. Luego de apagar la unidad, permanecen calientes durante un tiempo breve.
 - No opere el motor a una velocidad mayor que la necesaria para cortar, recortar o recortar los bordes. No haga funcionar el motor a alta velocidad mientras no está cortando.
 - Apague siempre el motor cuando demore el corte o mientras camina entre zonas de corte.
 - Si golpea o se enreda con algún objeto extraño, apague el motor de inmediato y verifique si hay daños. Repare todos los daños antes de volver a intentar operar la unidad. No opere la unidad si tiene piezas flojas o dañadas.
 - Apague el motor para realizar todo el mantenimiento, reparaciones o cambio del accesorio de corte u otros accesorios.
 - Use sólo piezas y accesorios de repuesto del fabricante del equipo original para esta unidad. Puede obtenerlos en su proveedor de servicio autorizado. El uso de piezas y accesorios que no son equipo origina; puede causar graves lesiones al operador o el daño de su unidad, y la cancelación de su garantía.
 - Mantenga la unidad libre de vegetación y otros materiales. Pueden alojarse entre el accesorio de corte y la protección.
 - Para reducir el riesgo de incendio, cambie los silenciadores y amortiguadores de chispas defectuosos, mantenga el motor y el silenciador libre de pasto, hojas, grasa excesiva o acumulaciones de carbono.
- #### OTRAS ADVERTENCIAS DE SEGURIDAD
- No guarde nunca la unidad con combustible en el tanque en un edificio donde los gases puedan llegar a una llama abierta o a una chispa.
 - Espere que el motor se enfríe antes de guardar o transportar la unidad. Asegúrese de que la unidad esté segura al transportarla.
 - Guarde la unidad bajo llave en un lugar adecuado y seco para evitar que sea usada por personas no autorizadas y se dañe, fuera del alcance de los niños.
 - Nunca moje ni rocíe la unidad con agua ni con ningún otro líquido. Mantenga las manijas secas, limpias y sin residuos. Limpie la unidad luego de cada uso, lea las instrucciones de Limpieza y Almacenamiento.
 - Guarde estas instrucciones. Consúltelas con frecuencia y utilícelas para enseñar a otros usuarios. Si le presta esta unidad a alguien, préstele también estas instrucciones.

CONSERVE ESTAS INSTRUCCIONES

NORMAS PARA UNA OPERACIÓN SEGURA


SIMBOLOS DE SEGURIDAD E INTERNACIONALES

Este manual del operador describe los símbolos y figuras de seguridad e internacionales que pueden aparecer en este producto. Lea el manual del operador para obtener información completa acerca de la seguridad, ensamble, operación y mantenimiento y reparación.

SIMBOLO	SIGNIFICADO
	<ul style="list-style-type: none"> SIMBOLO DE ALERTA DE SEGURIDAD Indica peligro, advertencia o precaución. Puede ser utilizado junto con otros símbolos o figuras.
	<ul style="list-style-type: none"> ADVERTENCIA - LEA EL MANUAL DEL OPERADOR Lea el manual del operador y siga todas las advertencias e instrucciones de seguridad. De no hacerlo, el operador y/o los espectadores pueden sufrir graves lesiones.
	<ul style="list-style-type: none"> USE PROTECCION OCULAR Y AUDITIVA ADVERTENCIA : Los objetos arrojados por la unidad y el ruido fuerte pueden causar graves lesiones oculares y pérdida auditiva. Utilice protección ocular que cumpla con las normas ANSI Z87.1 y protección auditiva cuando opere esta unidad. Use una careta completa cuando la necesite.
	<ul style="list-style-type: none"> ADVERTENCIA DE CALIENTE No toque un silenciador ni un cilindro caliente. Puede quemarse. Estas partes se calientan mucho con el uso. Luego de apagarse permanecen calientes durante un corto tiempo.
	<ul style="list-style-type: none"> LOS OBJETOS DESPEDIDOS Y LA CUCHILLA ROTATIVA PUEDEN CAUSAR GRAVES LESIONES ADVERTENCIA: No opere esta unidad si la protección plástica de línea no está colocada en su lugar. Manténgase alejado del accesorio de corte giratorio.

SIMBOLO	SIGNIFICADO
	<ul style="list-style-type: none"> CONTROL DE ENCENDIDO Y APAGADO ENCENDIDO /ARRANQUE /MARCHA
	<ul style="list-style-type: none"> CONTROL DE ENCENDIDO Y APAGADO APAGADO o PARADO
	<ul style="list-style-type: none"> MANTENGA ALEJADOS A LOS ESPECTADORES ADVERTENCIA: Mantenga a todos los espectadores, en especial a niños y animales domésticos a por lo menos 50 pies (15 m) del área de corte.
	<ul style="list-style-type: none"> CONTROL DEL OBTURADOR A. Posición de OBTURACION COMPLETA B. Posición de OBTURACION PARCIAL C. Posición de MARCHA
	<ul style="list-style-type: none"> COMBUSTIBLE SIN PLOMO Use siempre combustible limpio, nuevo y sin plomo.
	<ul style="list-style-type: none"> INDICADOR DE ACEITE Consulte el manual del operador para obtener información acerca del tipo correcto de aceite.
	<ul style="list-style-type: none"> CUCHILLA AFILADA ADVERTENCIA : La protección del accesorio de corte contiene una cuchilla afilada. Para prevenir graves lesiones, no toque la cuchilla.

INFORMACION DEL ACEITE Y DEL COMBUSTIBLE



ADVERTENCIA: EL LLENAR DEMASADO EL CÁRTER PUEDE CAUSAR LESIONES PERSONALES GRAVES No podemos exagerar la importancia del control y mantenimiento del nivel correcto de aceite en el cigüeñal. Verifique el aceite antes de cada uso y cámbielo cuando sea necesario según se indica en la sección de *Cambio del aceite*.

TIPO DE ACEITE RECOMENDADO

El uso de un aceite del tipo y peso correctos en el cigüeñal es extremadamente importante. Verifique el aceite antes de cada uso y cambie el aceite con frecuencia. Si no usa el aceite correcto, o utiliza aceite sucio, puede causar el desgaste y falla prematuros del motor. Use un aceite de buena calidad SAE 30 de API (American Petroleum Institute) clase de servicio SG, SF, SH.

CARGA DE ACEITE EN EL CARTER DEL CIGÜEÑAL: USO INICIAL

NOTA: Esta unidad se envía sin carga de aceite. A fin de evitar el daño de la unidad, cargue aceite en el cárter del cigüeñal antes de intentar arrancar la unidad.

Su unidad trae una botella de aceite SAE 30 SF, SG, SH de 90 ml (3,04 onzas fluidas) (Fig. 1).

NOTA: Guarde la botella para medir la cantidad correcta de aceite cuando deba cambiarlo en el futuro. Lea *Cambio de Aceite*.

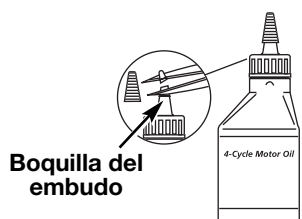


Fig. 1

- Desenrosque la tapa de la botella de aceite y retire el sello de papel que cubre la apertura. Vuelva a colocar la tapa. Corte la punta de la boquilla del embudo (Fig. 1).
- Coloque la unidad sobre una superficie plana.
- Saque el tapón de aceite/ varilla de medición del cigüeñal (Fig. 2).
- Vierta todo el contenido de la botella de aceite en el cigüeñal (Fig. 3).

NOTA: No agregue nunca aceite al combustible o al tanque de combustible.

- Limpie todo el aceite que pueda haberse derramado y vuelva a instalar el tapón del aceite / varilla de medición.

No podemos exagerar la importancia del control y mantenimiento del nivel correcto de aceite en el cigüeñal. Verifique el aceite antes de cada uso y cámbielo cuando sea necesario según se indica en la sección de *Cambio del aceite*.



Fig. 2



Fig. 3

TIPO DE COMBUSTIBLE RECOMENDADO

El combustible viejo es la causa principal del mal funcionamiento de la unidad. Asegúrese de usar combustible nuevo, limpio y sin plomo.

NOTA: Este es un motor de cuatro ciclos. Para evitar dañar su unidad, **no mezcle el aceite con la gasolina.**

Definición de los combustibles de mezcla

Los combustibles actuales con frecuencia son una mezcla de gasolina y uno o más oxigenantes como el etano, el metanol o el MTBE (éter). El combustible con mezcla de alcohol absorbe agua. Un porcentaje de agua tan pequeño como el 1% en el combustible puede hacer que el combustible y el aceite se separen. Se forman ácidos mientras está guardado. Cuando use combustible con mezcla de alcohol, use combustible nuevo (almacenado durante menos de 60 días).

Uso de los combustibles de mezcla

Si decide usar un combustible de mezcla o si su uso es inevitable, le recomendamos que tome las siguientes precauciones:

- Use siempre una mezcla fresca de combustible según lo indica su manual del operador
- Use el aditivo especial de combustible STA-BIL® o uno similar
- Drene el tanque y haga funcionar el motor en seco antes de guardar la unidad

Uso de aditivos en el combustible

El uso de aditivos en el combustible, como el estabilizador de gasolina STA-BIL® o similar, inhibirá la corrosión y reducirá la formación de depósitos de goma. El uso de aditivos puede evitar que se formen depósitos dañinos en el carburador por hasta ocho (8) meses. Agregue 23 ml (0,8 de onza) de aditivo por galón de combustible de acuerdo a las instrucciones del envase. No agregue NUNCA los aditivos directamente al tanque de combustible de la unidad.



ADVERTENCIA: Cargue el combustible en un área exterior limpia y bien ventilada. Limpie de inmediato todo combustible que se haya derramado. Evite crear una fuente de encendido con el combustible derramado. No arranque el motor hasta que se hayan evaporado los gases del combustible.



ADVERTENCIA: La gasolina es muy inflamable. Los gases pueden explotar si se encienden. Apague siempre el motor y espere que se enfríe antes de cargar el tanque de combustible. No fume mientras llena el tanque. Mantenga las chispas y las llamas lejos del área.

CARGA DE COMBUSTIBLE EN LA UNIDAD

1. Saque la tapa de la gasolina (Fig. 4).



ADVERTENCIA: Saque la tapa del combustible lentamente para evitar lesionarse con el rociado del combustible. No opere nunca la unidad sin la tapa del combustible firmemente colocada en su lugar.

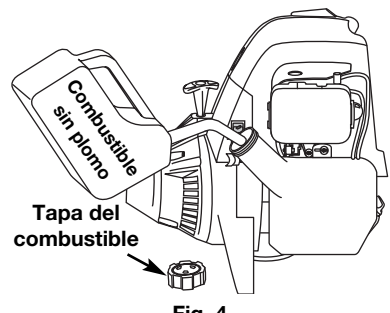
2. Coloque el pico del recipiente de gasolina en el orificio de llenado del tanque de gasolina (Fig. 4) y llene el tanque.

NOTA: No llene el tanque demasiado.

3. Limpie toda la gasolina que pueda haberse derramado.
4. Vuelva a instalar la tapa de la gasolina.

5. Mueva la unidad por lo menos 9,1 m (30 pies) de la fuente y sitio de carga antes de arrancar el motor.

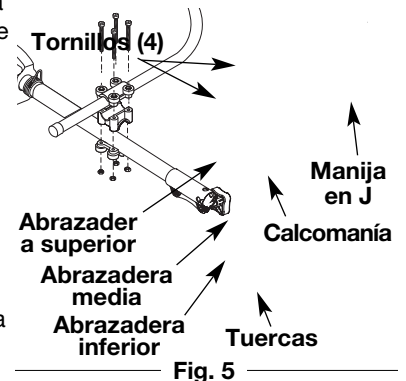
NOTA: Elimine la gasolina vieja de acuerdo a los reglamentos federales, estatales y locales.



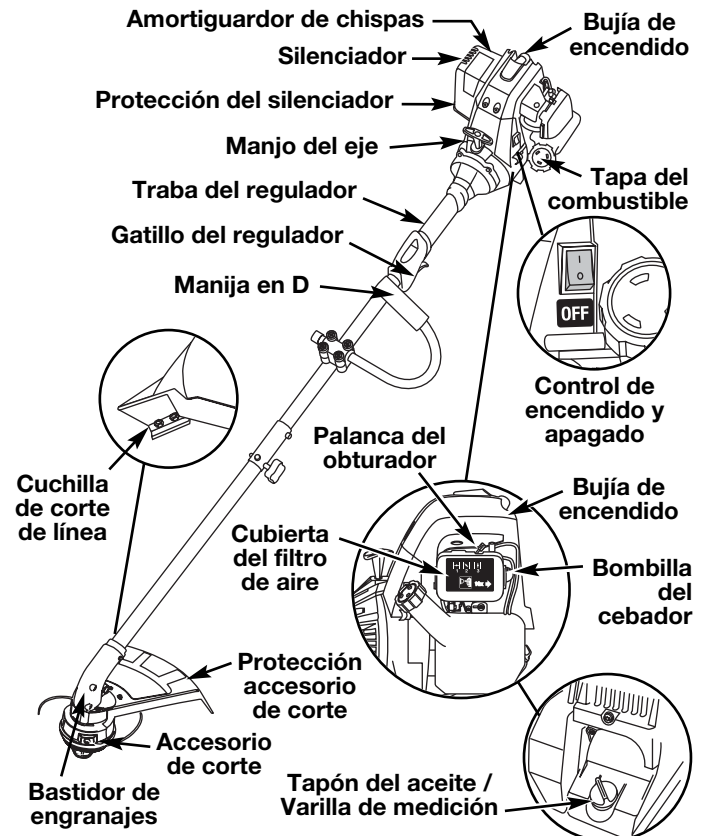
INSTRUCCIONES DE ENSAMBLE

INSTALACIÓN Y AJUSTE DE LA MANIJA EN J

1. Coloque la manija en J entre la abrazadera superior y la abrazadera media (Fig. 5).
 2. Mientras sostiene las tres piezas juntas, instale los cuatro (4) tornillos a través de la abrazadera superior en la abrazadera media.
- NOTA:** Los orificios de la abrazadera superior y media se alinearán sólo cuando se ensamble en forma correcta.
3. Coloque las abrazaderas y la manija en J por encima del bastidor del eje y sobre la abrazadera inferior.
 4. Sostenga cada tuerca hexagonal en el hueco de la abrazadera inferior con un dedo. Comience a colocar los tornillos con un destornillador Phillips grande. No los apriete hasta ajustar la manija.
 5. Deslice la manija en J hacia dentro o hacia fuera hasta que la flecha o línea blanca de la calcomanía toque el ensamble de abrazaderas (Fig. 5).
 6. Mientras sostiene la unidad en posición de operación (Fig. 26), coloque la manija en J en la posición que le brinde el mejor agarre.
 7. Ajuste los tornillos de la abrazadera en forma pareja hasta que la manija en J esté firme.



CONOZCA SU UNIDAD



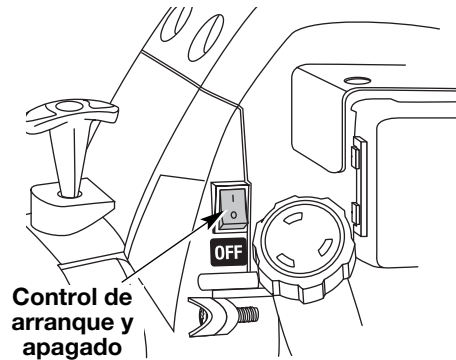
INSTRUCCIONES DE ARRANQUE Y APAGADO



ADVERTENCIA: Use esta unidad sólo en un área exterior bien ventilada. Los gases de escape de monóxido de carbono pueden ser letales en un área cerrada.



ADVERTENCIA: Evite los arranques accidentales. Colóquese en posición de inicio cuando tire de la cuerda de arranque (Fig. 22). El operador y la unidad deben estar en una posición estable al arrancar la unidad para evitar graves lesiones personales. Compruebe que cualquier complemento usado se instale correctamente y que esté seguro, antes de poner en marcha la unidad.



Control de arranque y apagado

Fig. 6

INSTRUCCIONES DE ARRANQUE

1. Verifique el nivel de aceite en el cárter del cigüeñal. Lea *Inspección del Nivel de Aceite*.
2. Llene el tanque de combustible con gasolina nueva, limpia y sin plomo.
3. Coloque el control de encendido y apagado en posición de ENCENDIDO (I) (Fig. 6).
4. Oprima completamente el cebador y suéltelo 10 veces. Hágalo lentamente. Se deberá ver un poco de combustible en el cebador y en las tuberías de alimentación de combustible (Fig. 7). Si no puede ver el combustible en el cebador, oprímalo y suéltelo tantas veces como sea necesario hasta que vea combustible en el mismo.
5. Coloque la palanca del obturador en **Posición 1** (Fig. 7).
6. Soporte en la posición de arranque (Fig. 8) y apriete el control de aceleración. Tire bruscamente del cordón de arranque hasta 5 veces.
7. Coloque la palanca del obturador en **Posición 2** (Fig. 9).
8. Mientras oprime el control del regulador, tire de la cuerda de arranque rápidamente de 1 a 5 veces para arrancar el motor.
9. Mantenga oprimido el regulador y deje que el motor se caliente durante 15 a 30 segundos.
10. Coloque la palanca del obturador en **Posición 3** (Fig. 10) la unidad está lista para usarse.

SI... El motor no arranca, regrese al paso 4.

SI... El motor no arranca después de varios intentos, coloque la palanca del obturador en la **Posición 3** y oprima el control del regulador. Hale la cuerda del arranque con fuerza de 3 a 8 veces. El motor deberá arrancar. Si no sucede así, repita el procedimiento.

SI SE CALIENTA... El motor ya está caliente, cerciórese de que el control de Encendido/Apagado [On/Off] esté en la posición de Encendido [ON] y arranque la unidad con la palanca del obturador en la **Posición 2**. Después de que la unidad arranque, mueva la palanca del obturador a la **Posición 3**.

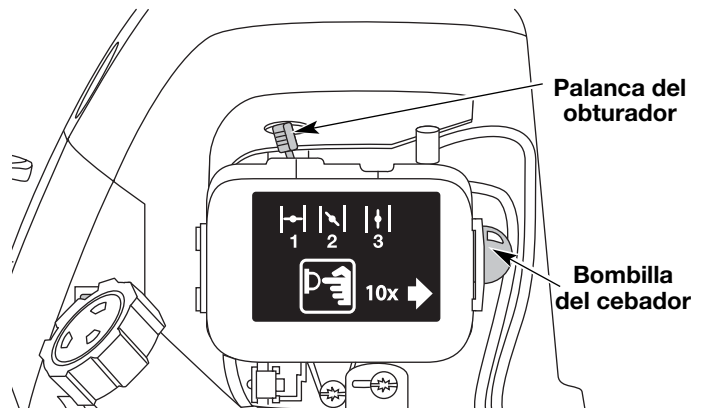


Fig. 7

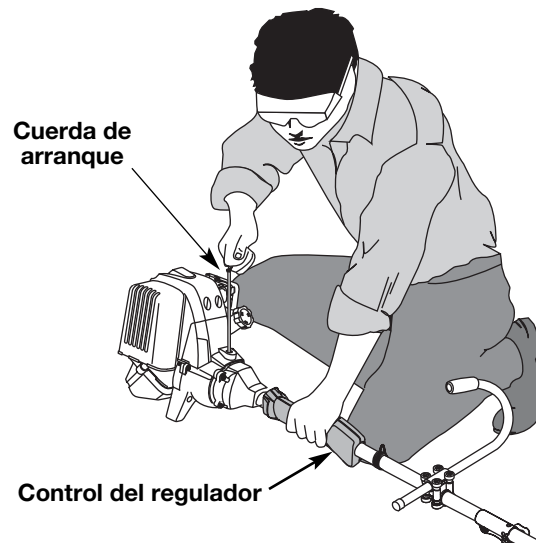


Fig. 8

INSTRUCCIONES DE APAGADO

1. Saque la mano del control del regulador. Deje enfriar el motor en marcha en vacío.
2. Coloque el control de encendido y apagado en posición de APAGADO (O).

APLICACIONES

Como recortador corte de césped y hierbas delgadas, recorte de bordes, y recorte decorativo alrededor de árboles, cercos, etc.

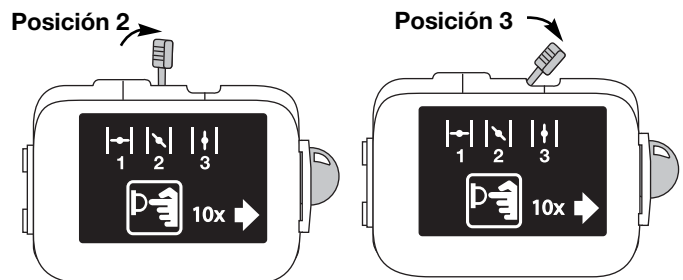


Fig. 9

Fig. 10

INSTRUCCIONES DE OPERACIÓN

OPERACION DEL SISTEMA EZ-Link™ (No está disponible en BL26C0)

El sistema EZ-Link™ le permite el uso de estos accesorios optativos.

Soplador/Aspirador	BV720r
Cultivador	GC720r
Recortador de bordes	LE720r
Recortador de setos	HS720r
Lanzanieves	ST720r
Recortador de eje recto	SS725r
Podador de árboles	TP720r
Soplador Turbo	TB720r



ADVERTENCIA: Antes de comenzar a usar este accesorio, lea y comprenda el manual que viene con el accesorio. Siga toda la información de seguridad contenida en el mismo.



ADVERTENCIA: Para evitar graves lesiones personales, apague la unidad antes de sacar o instalar accesorios.

Remoción del accesorio de corte u otros accesorios

1. Gire la perilla en sentido antihorario para aflojarla (Fig. 11).

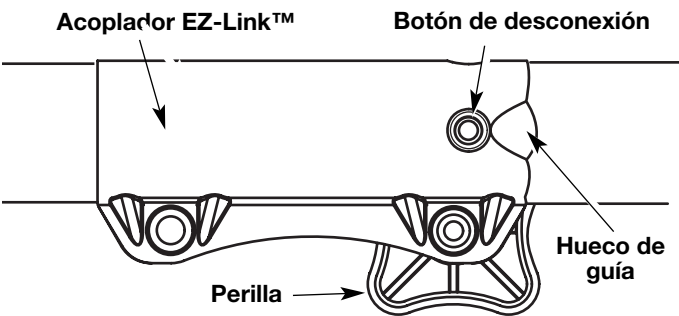


Fig. 11

2. Opima y sostenga el botón de desconexión (Fig. 11).
3. Mientras sostiene el bastidor del eje superior con firmeza, tire del accesorio de corte o accesorio en línea recta fuera del acoplador EZ-Link™ (Fig. 12).

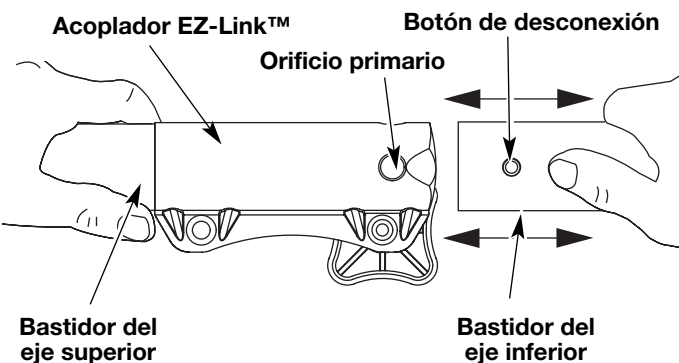


Fig. 12

Instalación del accesorio de corte u otros accesorios

NOTA: Para facilitar la instalación o remoción de los accesorios, coloque la unidad sobre el suelo o sobre un banco de trabajo.

1. Gire la perilla en sentido antihorario para aflojarla (Fig. 11).
2. Mientras sostiene el accesorio con firmeza, empújelo en línea recta en el acoplador EZ-Link™ (Fig. 12).

NOTA: La alineación del botón de desconexión con el hueco de guía facilitará la instalación (Fig. 11).

3. Gire la perilla en sentido horario para ajustarla (Fig. 13).



ADVERTENCIA: Trabe el botón de desconexión en el orificio primario (Fig. 12) y ajuste bien la perilla antes de operar esta unidad.

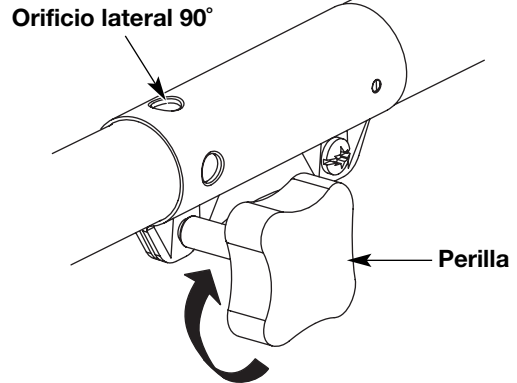


Fig. 13



PRECAUCION: El accesorio de corte y los accesorios con el sistema EZ-Link™ deben ser usados en el orificio primario a menos que se indique lo contrario en el manual del operador del accesorio. El usar el orificio incorrecto puede conducir a lesiones personales o daño de la unidad.

Para recortar bordes mientras usa el accesorio de corte de cabeza de línea con modelos EZ-Link™, trabe el botón de desconexión en el **orificio lateral de 90°** (Fig. 13).

COMO SOSTENER EL RECORTADOR



ADVERTENCIA: Use siempre protección para sus ojos, audición, pies y cuerpo para reducir el riesgo de una lesión al operar esta unidad.

Antes de operar esta unidad, párese en posición de operación (Fig. 14). Verifique lo siguiente:

- El operador tiene protección ocular y ropa adecuada.
- El brazo derecho está levemente doblado, y la mano está sosteniendo el mango del eje.
- El brazo izquierdo está recto, y la mano está sosteniendo la manija.
- La unidad está debajo del nivel de la cintura.
- El accesorio de corte está paralelo al suelo y hace fácil contacto con la vegetación que va a ser cortada sin que el operador tenga que inclinarse.

Una vez que usted esté en la posición de funcionamiento, enganche la correa para el hombro a la unidad.

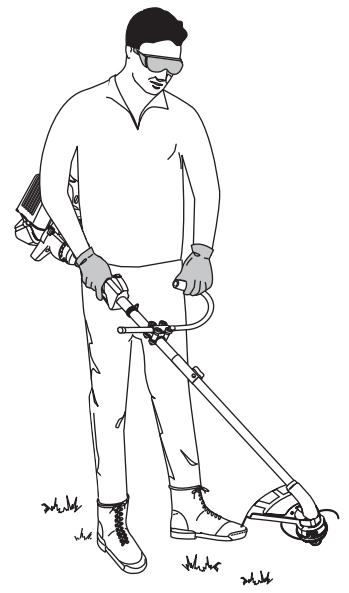


Fig. 14

INSTRUCCIONES DE OPERACIÓN

AJUSTE DE LA LONGITUD DE LA LÍNEA DE CORTE

El accesorio de corte Bump Head™ le permite soltar línea de corte sin apagar el motor. Para soltar más línea, golpee suavemente el accesorio de corte contra el suelo (Fig. 15) mientras opera el recortador a alta velocidad.

NOTA: Mantenga siempre la línea de corte completamente extendida. Es más difícil soltar línea al acortarse la línea de corte.

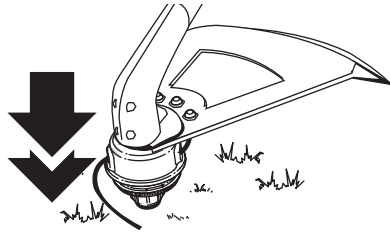


Fig. 15

Cada vez que se golpea la cabeza, se suelta

alrededor de 25,4 mm (1 pulgada) de línea de corte. La cuchilla en la protección del accesorio de corte detendrá la línea en la longitud correcta si se suelta demasiada línea.

Para obtener mejores resultados, golpee la Bump Head™ sobre terreno limpio o tierra dura. Si intenta soltar la línea sobre el césped alto, el motor podrá ahogarse. Mantenga siempre la línea de corte completamente extendida. Es más difícil soltar línea al acortarse la línea de corte.

NOTA: No apoye la Bump Head™ sobre el suelo mientras la unidad esté en funcionamiento.

La línea puede cortarse por:

- Enredarse con un objeto extraño
- Fatiga normal de la línea
- Intentar cortar hierbas gruesas y leñosas
- Forzar la línea en objetos como paredes o postes de cercos



PRECAUCIÓN: No saque ni altere el ensamble de la cuchilla limitadora de línea. La longitud excesiva de la línea causará el recalentamiento del motor. Esto puede causar graves lesiones personales o daño a la unidad.

CONSEJOS PARA OBTENER MEJORES RESULTADOS AL RECORTAR

- Para mejores resultados que recortan, operar la unidad en válvula de admisión repleta.
- El ángulo correcto para ubicar el accesorio de corte es paralelo al suelo.
- No fuerce el accesorio de corte. Permita que la punta de la línea realice el corte (en especial a lo largo de paredes). Si corta con más de la punta reducirá la eficacia del corte y puede sobrecargar el motor.
- Corte césped de más de 200 mm (8 pulgadas) trabajando de arriba hacia abajo en pequeños incrementos para evitar el desgaste prematuro de la línea y el arrastre del motor.
- Corte de derecha a izquierda siempre que sea posible. Cortar hacia la izquierda mejora la eficiencia de la unidad. Los recortes salen arrojados en sentido contrario al operador.
- Mueva lentamente el recortador dentro y fuera del área de corte a la altura deseada. Realice movimientos ya sea de adelante hacia atrás y viceversa, o de lado a lado. El corte en longitudes más cortas produce mejores resultados.
- Recorte únicamente cuando el pasto y las hierbas estén secas.
- La vida de su línea de corte depende de:
 - Seguir todas las técnicas de corte indicadas anteriormente
 - El tipo de vegetación que corte
 - El lugar donde se corta

Por ejemplo, la línea se desgastará más rápido cuando corte contra un muro que cuando corte alrededor de un árbol.

RECORTE DECORATIVO

El recorte decorativo se realiza eliminando toda la vegetación de alrededor de los árboles, postes, cercos, etc. Gire toda la unidad a modo de que el accesorio de corte se ubique a un ángulo de 30° con el suelo (Fig 16).

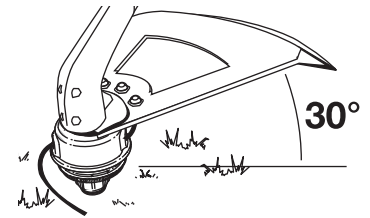


Fig. 16

INSTRUCCIONES DE MANTENIMIENTO Y REPARACIÓN

PROGRAMA DE MANTENIMIENTO

Estos procedimientos requeridos para el mantenimiento deben ser realizados con la frecuencia indicada en la tabla. Deben ser incluidos como parte de toda puesta a punto de cada temporada.

NOTA: Algunos procedimientos de mantenimiento pueden requerir el uso de herramientas o habilidades especiales. Si no está seguro acerca de estos procedimientos, lleve su unidad a un establecimiento de reparación, persona o distribuidor de servicio autorizado que arregle motores para uso fuera de la carretera.

NOTA: El mantenimiento, la sustitución o arreglo de dispositivos para el control de emisiones y sistemas pueden ser hechos por cualquier establecimiento de reparación, persona o proveedor de servicio autorizado que arregle motores para uso fuera de la carretera.



ADVERTENCIA: Para evitar lesiones personales graves, nunca realice mantenimiento ni reparaciones con la unidad funcionando. Realice siempre el mantenimiento y las reparaciones con la unidad fría. Desconecte el cable de la bujía de encendido para cerciorarse de que la unidad no arrancará.

FRECUENCIA	MANTENIMIENTO REQUERIDO	CONSULTE
Antes de arrancar el motor	Llene el tanque de combustible con combustible nuevo Inspeccione el aceite	Page E4 Page E9
Cada 10 horas	Limpie y vuelva a aceitar el filtro de aire	Page E10
Primer cambio a las 10 horas Cada 25 horas en lo sucesivo Cada 25 horas	Cambie el aceite Cambie el aceite Limpie el amortiguador de chispas	Page E10 Page E10 Page E13
10 horas en un motor nuevo Cada 25 horas Cada 25 horas	Verifique la separación entre el brazo oscilante y la válvula y ajuste Verifique la separación entre el brazo oscilante y la válvula y ajuste Verifique la condición y separación de la bujía de encendido	Page E11 Page E11 Page E13

INSTRUCCIONES DE MANTENIMIENTO Y REPARACIÓN

INSTALACION DE LA LINEA PARA EL SPEEDSPOOL®



ADVERTENCIA: No use nunca línea reforzada con metal, alambre, cadena ni sogas, etc. Estos elementos pueden desprenderse y convertirse en un proyectil peligroso.

Use siempre línea de repuesto del fabricante del equipo original de 2,03 mm (0,080 pulgadas). Una línea mayor puede causar un recalentamiento o falla en el motor.

Existen dos métodos para cambiar la línea de corte SpeedSpool®.

- Bobinar el carrete interior con línea nueva
- Instalar un carrete prebobinado

Bobinado del carrete interior con línea nueva

NOTA: No hace falta quitar la perilla percusiva para instalar línea de corte nueva.

1. Corte dos piezas de 2,03 mm (0,080 pulgadas) de línea de corte, de 3 m (10 pies) de largo.



ADVERTENCIA: Use siempre la longitud de línea correcta al instalar línea de corte en la unidad. La línea puede no soltarse correctamente si es demasiado larga.

2. Alinee la flecha del carrete interior con la flecha de la bobina exterior (Fig. 17).

Vista superior del SpeedSpool®

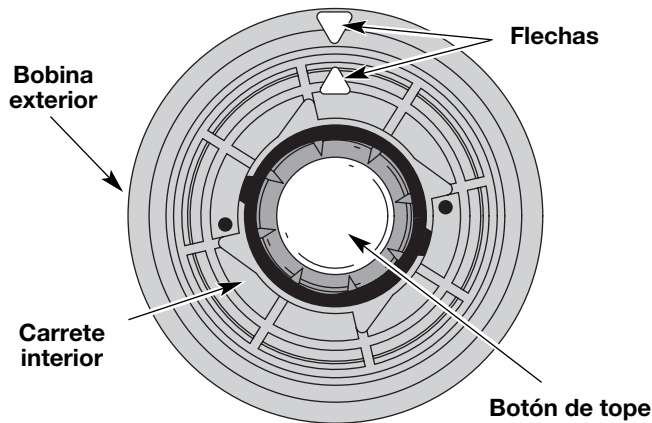


Fig. 17

3. Saque la línea vieja por los orificios de carga y de cierre de línea (Fig. 18 y 19).

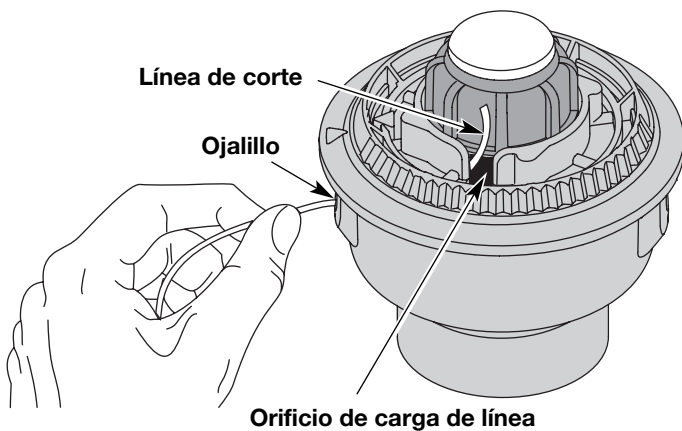
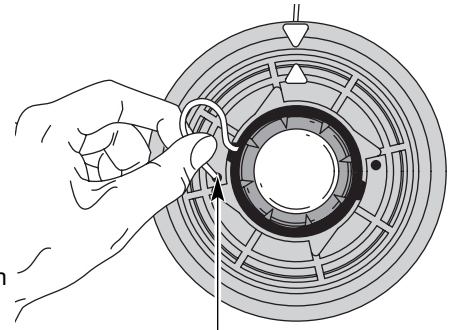


Fig. 18

4. Inserte una pieza de línea de corte dentro de uno de los ojalillos de la bobina exterior. Páselo hacia arriba a través del orificio de

carga del carrete interior (Fig. 18). No doble la línea al insertarla en el ojalillo.



Orificio de cierre de línea

Fig. 19

5. Inserte la línea en el orificio de cierre. No empuje la línea más de 12,7 mm (1/2 pulgada) dentro del orificio de cierre. Cuando la línea está bien insertada, formará un bucle pequeño (Fig. 19).
6. Saque la línea de la bobina exterior hasta que esté tirante contra el carrete interior (Fig. 20).

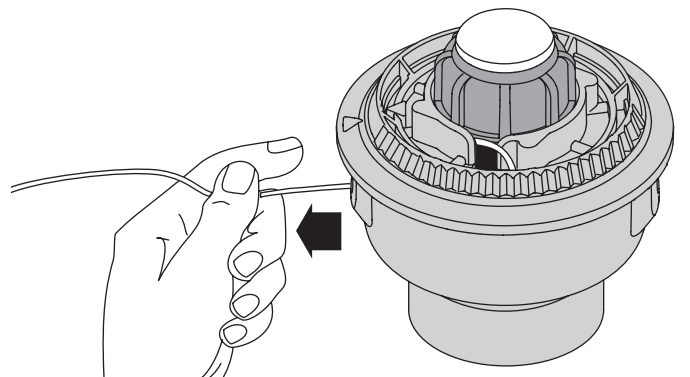


Fig. 20

7. Repita los pasos 4 a 6 con la segunda pieza de línea.
8. Sostenga la bobina exterior. Bobine el carrete interior en sentido antihorario hasta que queden alrededor de 102 mm (4 pulgadas) de línea (Fig. 21).

NOTA: No bobine el carrete interior antes de instalar la segunda pieza de línea.

9. Si el bobinado de la línea se torna dificultoso o la línea se enreda, tire de los extremos de la línea de la bobina. Continúe bobinando el carrete interior en sentido antihorario (Fig. 22).

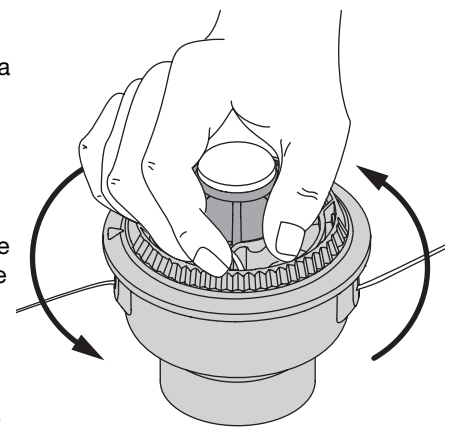


Fig. 21

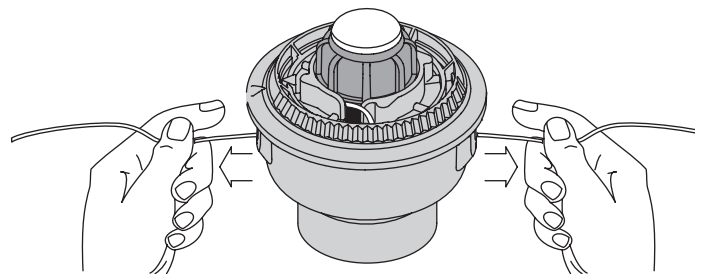


Fig. 22

INSTRUCCIONES DE MANTENIMIENTO Y REPARACIÓN

INSTALACIÓN DE UN CARRETE INTERIOR PREBOBINADO

1. Saque la perilla percusiva, el resorte y el sello de espuma girando la perilla percusiva en sentido antihorario (Fig. 23).
2. Saque el carrete interior viejo con la línea existente fuera de la bobina exterior.
3. Inserte los extremos de la línea de corte del nuevo carrete interior dentro de los ojalillos de la bobina exterior (Fig. 24). Coloque el nuevo carrete interior con la flecha hacia arriba dentro de la bobina exterior.
4. Sostenga el carrete interior en su lugar e instale el botón de tope, el resorte y el sello de espuma presionando y girando la botón de tope en sentido horario. Tome los extremos y tire con firmeza para soltar la línea de las ranuras de fijación en el carrete interior (Fig. 23).

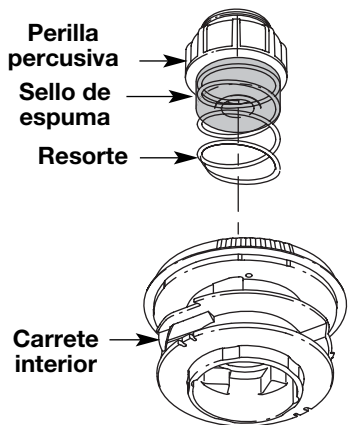


Fig. 23

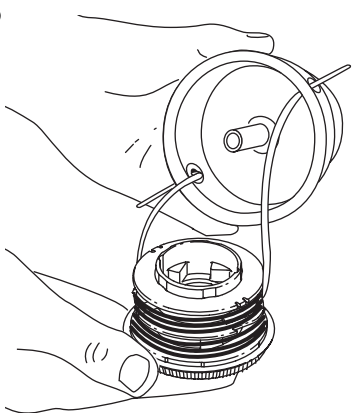


Fig. 24

Desconexión del carrete interior

Si el SpeedSpool® no suelta línea en forma correcta, tire firmemente de los extremos de la línea de la bobina (Fig. 22). Si al hacer esto la línea no se suelta, siga las instrucciones de *limpieza del SpeedSpool®* a continuación.

LIMPIEZA DEL SPEEDSPOOL®

La limpieza de SpeedSpool® puede ser necesaria:

- Para sacar línea enredada o en exceso
 - Si el bobinado del SpeedSpool® se torna dificultoso o no opera en forma correcta cuando golpea la cabeza contra el suelo
1. Sostenga la bobina exterior y desenrosque la perilla percusiva en sentido antihorario (Fig. 25).
 2. Saque la botón de tope, el resorte y el sello de espuma (Fig. 23).
 3. Saque el carrete interior con la línea existente de la bobina exterior (Fig. 24).
 4. Saque toda la línea que haya en el carrete interior antes de limpiarlo. Saque todos los residuos o pasto de la perilla, resorte, carrete interno y sello de espuma. Lave el carrete interior con agua

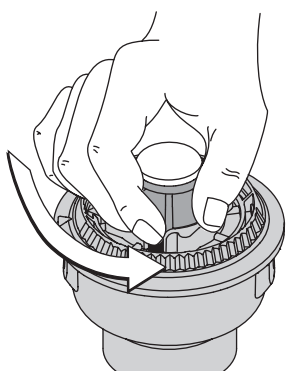


Fig. 25

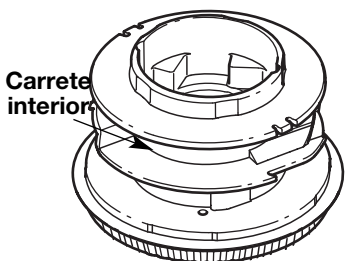


Fig. 26

jabonosa tibia (Fig. 26).

5. Limpie el eje y la superficie interior de la bobina exterior. Para limpiar el eje debajo del émbolo, empuje el émbolo hacia abajo (Fig. 27). Saque toda la suciedad o residuos del eje.

NOTA: El carrete interior debe estar seco por completo antes de volver a instalarlo en la bobina exterior. No lubrique el ensamble del carrete interior ni de la bobina exterior.

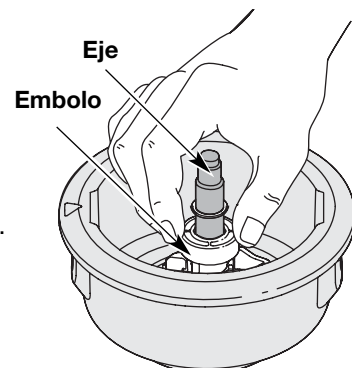
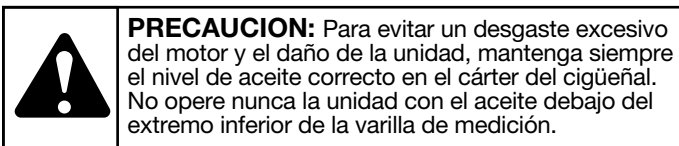


Fig. 27

6. Coloque el carrete interior en la bobina exterior.
7. Coloque la botón de tope, el resorte y el sello de espuma en la bobina exterior (Fig. 23).
8. Ajuste la botón de tope presionando hacia abajo y girándola en sentido horario.
9. Instale la línea nueva según se indica en *Instalación de la línea para el SpeedSpool®*.

INSPECCION DEL NIVEL DE ACEITE



No podemos exagerar la importancia de verificar y mantener el nivel correcto de aceite en el cárter del cigüeñal. Inspeccione el nivel de aceite antes de cada uso:

1. Apague el motor y permita que el aceite drene dentro del cárter del cigüeñal.
2. Coloque la unidad sobre una superficie plana y nivelada para obtener una lectura correcta del nivel de aceite (Fig. 2).
3. Mantenga la suciedad, recortes de césped, etc. fuera del motor.

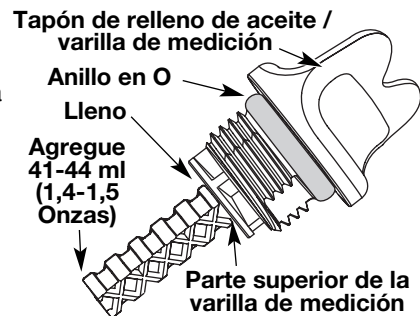


Fig. 28

4. Limpie el área alrededor del tapón de relleno de aceite / varilla de medición antes de retirarlo.
5. Retire el tapón de relleno de aceite / varilla de medición y seque el aceite. Vuelva a insertarlo completamente hacia adentro.
6. Si el nivel está bajo, agregue una pequeña cantidad de aceite en el orificio de llenado de aceite y vuelva a medir (Fig. 29).

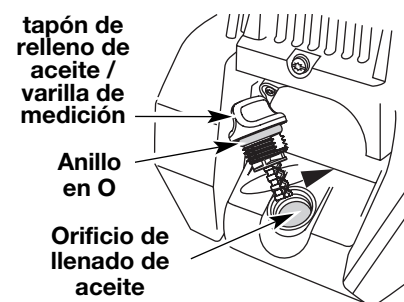


Fig. 29

INSTRUCCIONES DE MANTENIMIENTO Y REPARACIÓN

Repita hasta que el nivel de aceite llegue hasta la parte superior de la varilla de medición.

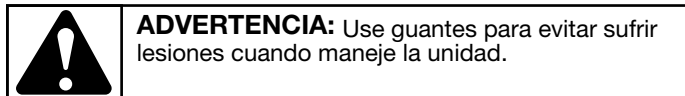
NOTA: No llene demasiado la unidad.

NOTA: Verifique que el anillo en O esté en su lugar en el tapón de relleno de aceite / varilla de medición cuando mida y cambie el aceite (Fig. 29).

CAMBIO DEL ACEITE

En un motor nuevo, cambie el aceite después de las 10 primeras horas de operación. Cambie el aceite mientras el motor aún está caliente. El aceite fluirá con libertad y llevará más impurezas.

1. Desenchufe el manguito de la bujía de encendido para eliminar el arranque.



ADVERTENCIA: Use guantes para evitar sufrir lesiones cuando maneje la unidad.

2. Retire el tapón de relleno de aceite / varilla de medición.
3. Vierta el aceite fuera del orificio de llenado de aceite en un recipiente inclinando la unidad hasta una posición vertical (Fig. 30). Deje suficiente tiempo como para completar el drenaje.
4. Seque todo el aceite residual de la unidad y limpie todo el aceite que pueda haberse derramado. Elimine todo el aceite de acuerdo con las normas federales, estatales y locales.
5. Vuelva a cargar el cárter del cigüeñal con 90 ml (3,04 onzas fluidas) de aceite SAE 30 SF, SG, SH.

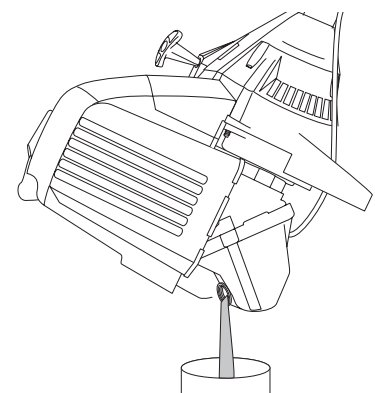


Fig. 30

NOTA: Use la botella y la boquilla que guardó del uso inicial para medir la cantidad correcta. El nivel de 90 ml (3,04 onzas) está aproximadamente en la parte superior de la etiqueta de la botella (Fig. 31). Mida el nivel con la varilla de medición. Si el nivel está bajo, agregue una pequeña cantidad de aceite y vuelva a medir (Fig. 31). No lo llene demasiado.

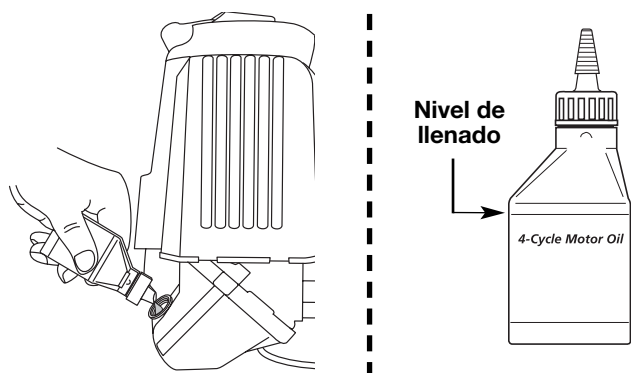


Fig. 31

6. Vuelva a colocar el tapón de relleno de aceite / varilla de medición.
7. Vuelva a conectar el manguito de la bujía de encendido.

MANTENIMIENTO DEL FILTRO DE AIRE



ADVERTENCIA: Para evitar graves lesiones personales, apague siempre su recortador y espere que se enfríe antes de limpiarlo o realizar todo tipo de mantenimiento.

Limpieza del filtro de aire

Limpie y vuelva a aceitar el filtro de aire cada 10 horas de operación. Es una de las partes cuyo mantenimiento es importante. No mantener debidamente su filtro de aire puede resultar en funcionamiento inadecuado o puede causar daño permanente a su motor.

1. Abra la cubierta del filtro de aire. Empuje hacia adentro la orejeta del lado derecho de la cubierta, y extraiga la cubierta del filtro de aire hacia afuera y hacia la izquierda (Fig. 32).

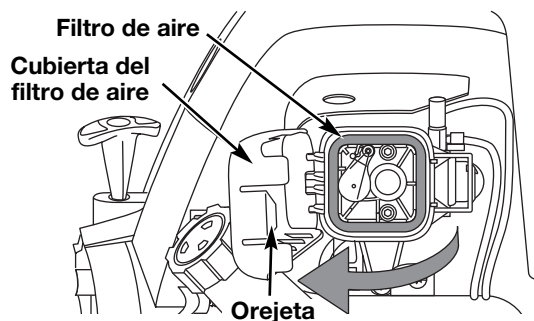


Fig. 32

NOTA: Es posible que deba retirar la tapa de combustible para poder retirar por completo la cubierta del filtro de aire.

2. Retire el filtro de aire (Fig. 32).
3. Lave el filtro con agua y detergente (Fig. 33). Enjuague bien el filtro y déjelo secar.
4. Aplique suficiente aceite limpio de motor SAE 30 para recubrir ligeramente el filtro (Fig. 34).
5. Apriete el filtro para esparcir y retirar el exceso de aceite (Fig. 35).

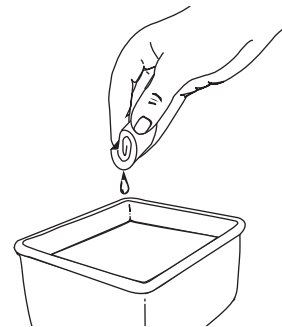


Fig. 33

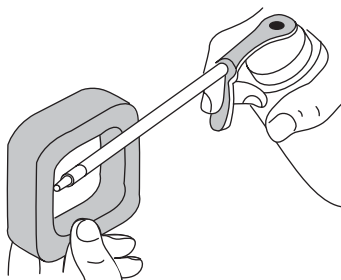


Fig. 34

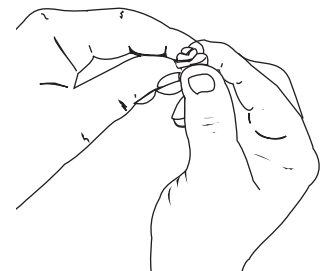


Fig. 35

6. Vuelva a colocar el filtro (Fig. 36).

NOTA: Si opera la unidad sin el filtro de aire, su garantía será ANULADA.

7. Vuelva a instalar la cubierta del filtro de aire. Coloque los ganchos del lado izquierdo de la cubierta del filtro de aire en las ranuras del lado izquierdo de la placa posterior (Fig. 36).

NOTA: Puede ser necesario que retire la tapa del combustible para volver a instalar la cubierta del filtro de aire.

INSTRUCCIONES DE MANTENIMIENTO Y REPARACIÓN

8. Mueva la cubierta hacia la derecha hasta que la orejeta del filtro de aire calce en su lugar en la ranura de la placa posterior (Fig. 37).

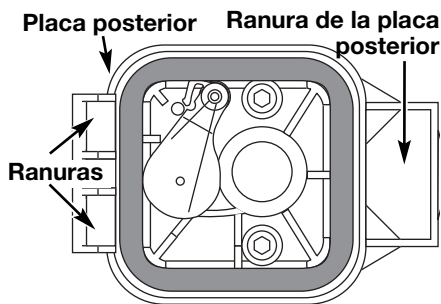


Fig. 36

9. Vuelva a colocar la tapa del combustible, si es que la había retirado.

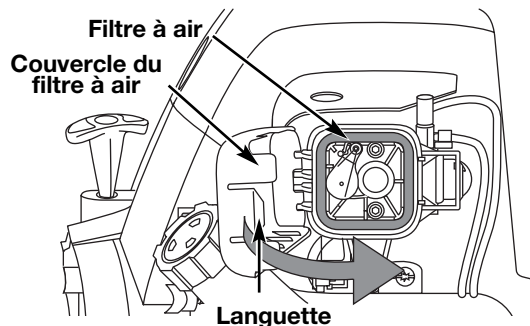


Fig. 37

AJUSTE DEL CARBURADOR

La velocidad mínima del motor puede ser ajustada. Puede tener acceso al tornillo de ajuste de mínima a través de un orificio en la parte superior de la cubierta del motor (Fig. 38).

NOTA: Los ajustes descuidados pueden dañar su motor seriamente. Los ajustes del carburador deben ser realizados por un proveedor de servicio autorizado.

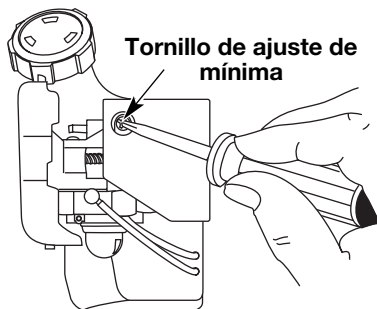


Fig. 38

Inspección del Combustible

En general, el combustible viejo es el motivo principal para que la unidad no funcione en forma adecuada. Drene y vuelva a llenar el tanque con combustible nuevo, limpio y sin plomo antes de hacer ningún ajuste. Consulte la *Información acerca del Aceite y Combustible*.

Limpieza del Filtro de Aire

La condición del filtro de aire es importante para el funcionamiento de la unidad. Un filtro de aire sucio limitará el flujo de aire y cambiará la mezcla de aire y combustible. Con frecuencia esto se confunde con un carburador fuera de ajuste. Inspeccione la condición del filtro de aire antes de ajustar el tornillo de velocidad mínima. Consulte la sección de *Mantenimiento del Filtro de Aire*.

Ajuste del Tornillo de Velocidad Mínima

ADVERTENCIA: Al apagar la unidad, asegúrese de que el accesorio de corte se haya detenido antes de apoyar la unidad para prevenir graves lesiones personales.

Si después de inspeccionar el combustible y limpiar el filtro de aire

el motor aún no funciona en mínima, ajuste el tornillo de velocidad mínima según se indica a continuación.

1. Arranque el motor y déjelo funcionar a una mínima alta durante un minuto para que se caliente.
2. Suelte el gatillo del regulador y deje que el motor funcione en mínima. Si el motor se para, inserte un destornillador Phillips pequeño en el orificio de la cubierta del motor (Fig. 38). Gire el tornillo de mínima hacia adentro, en sentido horario, de a 1/8 de vuelta por vez (según sea necesario) hasta que el motor funcione en mínima suavemente.

NOTA: El accesorio de corte no debe girar cuando el motor está funcionando en mínima.

3. Si el accesorio de corte gira cuando el motor está funcionando en mínima, gire el tornillo de velocidad mínima en sentido antihorario de a 1/8 de vuelta por vez (según sea necesario) para reducir la velocidad mínima.



ADVERTENCIA: Al apagar la unidad, asegúrese de que el accesorio de corte se haya detenido antes de apoyar la unidad para prevenir graves lesiones personales.

La inspección del combustible, la limpieza del filtro de aire y el ajuste del tornillo de velocidad mínima debe resolver la mayoría de los problemas del motor. Si esto no sucede, y:

- El motor no funciona en mínima
- El motor fluctúa o se ahoga al acelerarlo
- Existe una pérdida de fuerza motriz

lleve el carburador a ajustar a un proveedor de servicio autorizado.

HUELGO DEL BRAZO OSCILANTE

Esto requiere el desarmado del motor. Si usted siente que no está seguro o que no está calificado como para realizar esto, lleve la unidad a un centro de servicio autorizado.

NOTA: Inspeccione el huelgo de la válvula del brazo oscilante con una galga después de las primeras 10 horas de operación y luego cada 25 horas de operación en lo sucesivo.

- El motor debe estar frío cuando verifique o ajuste el huelgo de la válvula.
 - Esta tarea debe ser realizada en interiores, en un área limpia y libre de polvo.
1. Retire la cubierta del silenciador presionando la esquina con un destornillador de vástago plano (Fig. 39). Deslice las muescas a los lados de la cubierta del silenciador sobre las orejetas de la cubierta del motor y retire.
 2. Quite los dos (2) Tornillos de encima de la tapa del motor con un destornillador de pala o Torx #25 (Fig. 40).
 3. Saque el tornillo que está detrás de la cubierta del motor (Fig. 41).
 4. Desconecte el cable de la bujía de encendido.
 5. Limpie la suciedad de alrededor de la bujía de encendido. Saque la bujía de encendido de la cabeza del cilindro girando un casquillo de 16mm (5/8 pulgadas) en sentido antihorario.
 6. Saque la cubierta del motor (Fig. 40).
 7. Limpie la suciedad de alrededor de la cubierta del brazo oscilante. Saque el tornillo que sostiene la cubierta del brazo oscilante con un destornillador grande de vástago plano o con una broca Torx T-25 (Fig. 42). Saque la cubierta y la junta del brazo oscilante.
 8. Tire lentamente de la cuerda de arranque para traer el pistón hacia la parte superior de su recorrido (conocido como punto muerto superior). Verifique que:

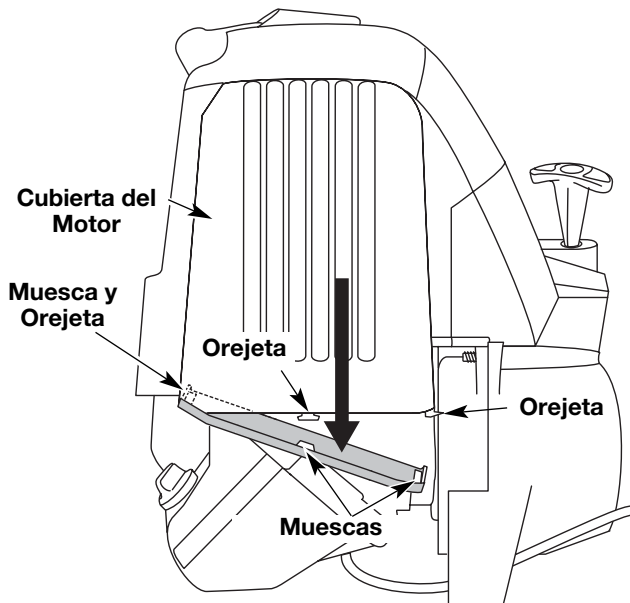


Fig. 39

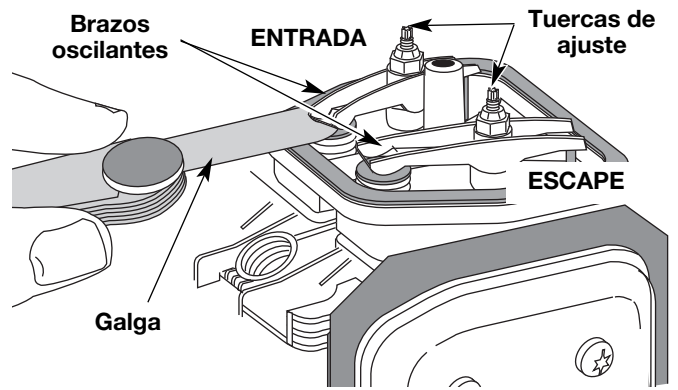


Fig. 43

El huelgo recomendado para las válvulas de entrada y de escape es 0,076 – 0,152 mm (0,003 – 0,006 pulgadas). Use un calibrador regular de automóvil de 0,127 mm (0,005 pulgadas). El calibrador debe deslizarse entre el balancín y el vástago de la válvula con una ligera cantidad de resistencia, sin doblarse (Fig. 43 y 44).

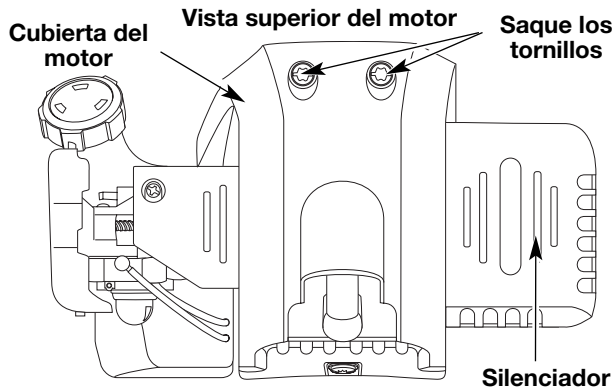


Fig. 40

- El pistón se encuentre en la parte superior de su recorrido mientras mira dentro del orificio de la bujía de encendido (Fig. 42).

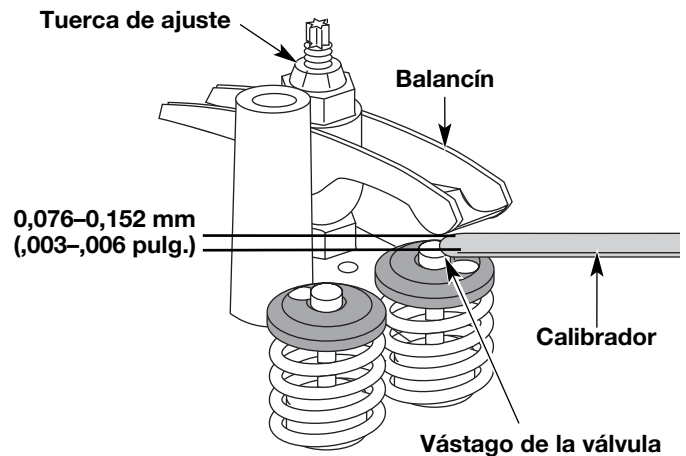


Fig. 44

10. Si el huelgo no se encuentra dentro de las especificaciones:

- a. Gire la tuerca de ajuste con una llave de 8 mm (5/16 pulgadas) o una guía de tuercas (Fig. 44).
 - Para incrementar el huelgo, gire la tuerca de ajuste en sentido antihorario.
 - Para reducir el huelgo, gire la tuerca de ajuste en sentido horario.

- b. Vuelva a inspeccionar ambos huelgos, y ajuste si es necesario.

11. Vuelva a instalar la cubierta del brazo oscilante utilizando una nueva junta. Ajuste el tornillo a 2,2–3,4 N•m (20–30 pulgadas•libra).

12. Vuelva a instalar la cubierta del motor. Verifique la alineación de la cubierta antes de ajustar los tornillos. Ajuste los tornillos.

13. Vuelva a colocar la cubierta del silenciador. Deslice las muescas a los lados de la cubierta del silenciador sobre las orejetas de la cubierta del motor y enganche en su lugar (Fig. 39).

14. Inspeccione la bujía de encendido y vuelva a instalar. Lea *Cambio de la Bujía de encendido*.

15. Vuelva a colocar el cable de la bujía de encendido.

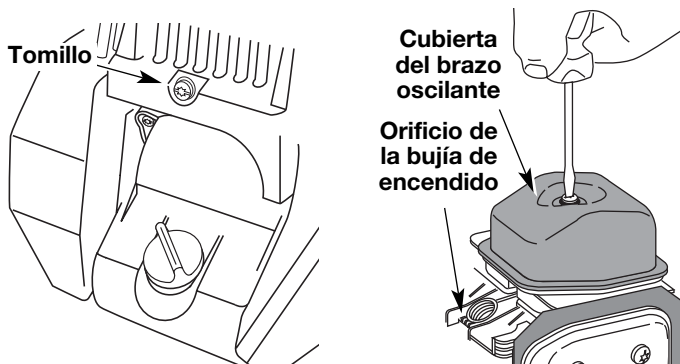


Fig. 41

Fig. 42

- Ambos brazos oscilantes se mueven con libertad, y ambas válvulas están cerradas

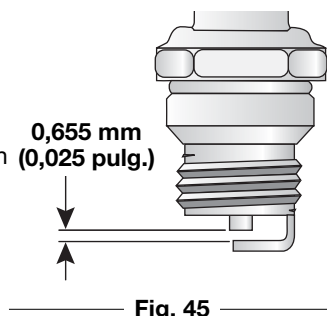
De no ser así, repita este paso.

9. Deslice la galga entre el brazo oscilante y el resorte de retorno de la válvula. Mida el huelgo entre el vástago de la válvula y el brazo oscilante (Fig. 43). Realice esto en las válvulas de entrada y de escape.

CAMBIO DE LA BUJÍA DE ENCENDIDO

Use una bujía de encendido 791-180852B. La separación correcta es de 0,655 mm (0,025 pulgadas). Retire la bujía luego de cada 25 horas de operación e inspeccione su estado.


1. Apague el motor y espere que se enfríe. Tome el alambre de la bujía con firmeza y sáquelo de la bujía de encendido.
2. Limpie alrededor de la bujía de encendido. Saque la bujía de encendido de la cabeza del cilindro girando una llave de casquillo de 16 mm (5/8 de pulgada) en sentido antihorario.
3. Cambie las bujías que estén rajadas, sucias o deterioradas. Fije la separación de aire a 0,655 mm (0,025 pulgadas) utilizando un calibrador (Fig. 45).
4. Instale una bujía de encendido con la separación correcta en la cabeza del cilindro. Ajuste girando la llave de casquillo 16 mm (5/8 de pulgada) en sentido horario hasta que esté ajustada sin huelgo.



Si usa una llave de torsión, ajuste a:

110-120 pulg. • libras (12.3-13.5 N•m)

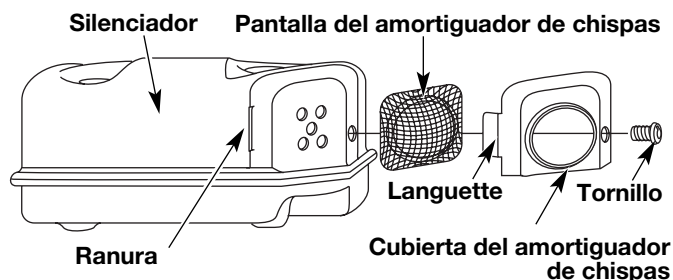
No ajuste demasiado.



PRECAUCIÓN: No limpie con chorro de arena, ni raspe ni limpie los electrodos. El motor podría dañarse si penetran pequeñas partículas en el cilindro.


MANTENIMIENTO DEL AMORTIGUADOR DE CHISPAS

1. Saque la cubierta del amortiguador de chispas. Lea *Huelgo del brazo oscilante*.
2. Con un destornillador de vástago plano o broca Torx T20, saque el tornillo que conecta la cubierta del amortiguador de chispas al silenciador (Fig. 46).



3. Saque la orejeta de la cubierta del amortiguador de chispas fuera del silenciador. Retire la cubierta del amortiguador de chispas.
4. Saque la pantalla del amortiguador de chispas de la cubierta del amortiguador de chispas.
5. Limpie la pantalla del amortiguador de chispas con un cepillo de alambre, o cámbiela.
6. Vuelva a instalar la pantalla del amortiguador de chispas, la cubierta del amortiguador de chispas y el tornillo.

LIMPIEZA



ADVERTENCIA: Para evitar graves lesiones personales, apague siempre su recortador y espere que se enfríe antes de limpiarlo o realizar cualquier tipo de mantenimiento.

Use un cepillo pequeño para limpiar la parte exterior de la unidad. No use detergentes fuertes. Los limpiadores domésticos que contienen aceites aromáticos como pino y limón, y con solventes como el queroseno pueden dañar el bastidor de plástico y la manija. Seque toda la humedad con un paño suave.

ALMACENAMIENTO

- No guarde nunca la unidad con combustible en el tanque donde los vapores puedan llegar a una llama o chispa.
- Espere que el motor se enfríe antes de guardar la unidad.
- Guarde la unidad bajo llave para prevenir el uso por personas no autorizadas y su daño.
- Guarde la unidad en un área seca y bien ventilada.
- Guarde la unidad fuera del alcance de los niños.

ALMACENAMIENTO POR LARGOS PERIODOS DE TIEMPO

Si debe guardar la unidad durante un largo período de tiempo:

1. Drene toda la gasolina del tanque en un recipiente. No use gasolina que haya estado guardada durante más de 60 días. Elimine la gasolina vieja de acuerdo con las normas federales, estatales y locales.
 2. Arranque el motor y déjelo funcionar hasta que se ahogue. Esto asegura que toda la gasolina se haya drenado del carburador.
 3. Deje enfriar el motor. Saque la bujía de encendido y coloque 1 onza (30 ml) de aceite de motor de buena calidad en el cilindro. Tire de la cuerda de arranque lentamente para distribuir el aceite. Vuelva a instalar la bujía de encendido.
- NOTA:** Saque la bujía de encendido y drene todo el aceite del cilindro antes de intentar usar el recortador luego de haber estado guardado.
4. Cambie el aceite. Lea *Cambio del Aceite*. Elimine el aceite viejo de acuerdo con las normas federales, estatales y locales.
 5. Limpie bien la unidad y verifique que no existan partes flojas ni dañadas. Repare o cambie las partes dañadas y ajuste los tornillos, las tuercas o los pernos que estén flojos. La unidad está lista para ser guardada.

TRANSPORTE

- Deje enfriar el motor antes de transportar la unidad.
- Asegure la unidad durante su transporte.
- Drene el tanque de gasolina antes de transportar la unidad.
- Ajuste la tapa de la gasolina antes de transportar la unidad.

RESOLUCIÓN DE PROBLEMAS

EL MOTOR NO ARRANCA

CAUSA

El control de apagado On/Off está en posición de OFF
El tanque de combustible está vacío
La bombilla de cebado no fue oprimida lo suficiente
El combustible es viejo
La bujía de encendido está arruinada
Parachispas obstruido

ACCIÓN

Gire el control de apagado On/Off a ON
Llene el tanque con combustible bien mezclado
Oprima la bombilla de cebado total y lentamente de 10 veces
Drene el tanque de gasolina / Agregue combustible nueva
Cambie o limpie la bujía de encendido
Limpie o cambie el parachispas

EL MOTOR NO FUNCIONA EN MINIMA

CAUSA

El filtro de aire está obstruido
El combustible es viejo
El carburador no está ajustado en forma correcta

ACCIÓN

Cambie o limpie el filtro de aire
Drene el tanque de gasolina / Agregue combustible nueva
Ajuste según las instrucciones

EL MOTOR NO ACELERA

CAUSA

El combustible es viejo
El carburador no está ajustado en forma correcta

El accesorio de corte está atascado de hierba
El filtro de aire está sucio
Parachispas obstruido

ACCIÓN

Drene el tanque de gasolina / Agregue combustible nueva
Lleve la unidad a un proveedor de servicio autorizado para hacer un ajuste de carburador
Pare el motor y limpie el accesorio de corte
Limpie o cambie el filtro de aire
Limpie o cambie el parachispas

EL MOTOR NO TIENE SUFICIENTE POTENCIA O SE AHOGA AL CORTAR

CAUSA

El combustible es viejo
El carburador no está ajustado en forma correcta

La bujía de encendido está arruinada
Parachispas obstruido

ACCIÓN

Drene el tanque de gasolina / Agregue combustible nueva
Lleve la unidad a un proveedor de servicio autorizado para hacer un ajuste de carburador
Cambie o limpie la bujía de encendido
Limpie o cambie el parachispas

LA CABEZA DE CORTE NO HACE AVANZAR LINEA

CAUSA

El accesorio de corte está atascado de hierba
El accesorio de corte no tiene línea
El carrete interior está trabado
La cabeza de corte está sucia
La línea se ha soldado
La línea se retorció al reponerla
No hay suficiente línea expuesta

ACCIÓN

Pare el motor y limpie el accesorio de corte
Coloque una línea nueva
Cambie el carrete interior
Limpie el carrete interior y la bobina exterior
Desarme, saque la sección soldada y rebobine la línea
Desarme y rebobine la línea
Oprima el botón de tope y tire de la línea hasta sacar 102 mm (4 pulgadas) de línea fuera del accesorio de corte.

LA LÍNEA DE CORTE AVANZA SIN CONTROL

CAUSA

El cabezal de corte tiene aceite

ACCIÓN

Limpie el aditamento de corte

Si necesita asistencia adicional, comuníquese con su proveedor de servicio autorizado.

ESPECIFICACIONES

MOTOR*

Tipo de motor	Enfriado por aire, 4 ciclos
Desplazamiento.....	26,2 cc (1,6 pulgadas cúbicas)
R.P.M. de operación.....	7.200+ r.p.m.
R.P.M. de velocidad mínima.....	2.800 - 3.600 r.p.m.
Tipo de encendido	Electrónico
Interruptor de encendido	Interruptor oscilante
Huelgo de la válvula	0,076–0,152 mm (0,003–0,006 pulg)
Separación de la bujía de encendido.....	0,655 mm (0,025 pulg)
Lubricación.....	Aceite SAE 30
Capacidad de aceite del cárter del cigüeñal.....	90 ml (3,04 onzas)
Combustible.....	Sin plomo
Carburador.....	Diafragma, multiposicional
Arranque	Bobinado automático
Silenciador.....	Amortiguado con protección
Regulador	Retorno manual del resorte
Capacidad del tanque de combustible.....	355 ml (12 onzas)

EJE IMPULSOR Y ACCESORIO DE CORTE*

Bastidor del eje impulsor	Tubo de acero
Control del regulador	Gatillo para el dedo
Peso de la unidad (sin combustible, con la manija, el protector y el accesorio de corte)	5,4-6 kg (12-13,5 libras)
Mecanismo de corte.....	Speed Spool® cabeza de corte de cuerda doble
Bobina de la línea.....	Desprendedor percusivo de línea
Diámetro de la bobina de la línea	76,2 mm (3 pulgadas)
Diámetro de la línea de corte.....	2,03 mm (0,080 pulgadas)
Diámetro de la trayectoria de corte, accesorio de corte	43,18 cm (17 pulgadas)

*Toda las especificaciones contenidas en este manual se basan en la información más reciente disponible en el momento de impresión del manual. Nos reservamos el derecho de hacer cambios en cualquier momento sin aviso previo.

Declaración de Garantía de Control de Emisiones de la EPA / California

Sus Derechos y Obligaciones de la Garantía

La Junta de Recursos del Aire de California, la Agencia de Protección Ambiental y MTD LLC (MTD) se complacen en explicar la garantía del sistema de control de emisiones para su pequeño motor para uso fuera de la carretera del 2005 y posterior. Los nuevos motores pequeños para uso fuera de la carretera tienen que diseñarse, construirse y equiparse para cumplir las normas contra smog más estrictas. MTD tiene que garantizar el sistema de control de emisiones de su pequeño motor para uso fuera de la carretera durante los períodos de tiempo que aparecen a continuación siempre que no haya habido abuso, negligencia o mantenimiento indebido de su motor para uso fuera de la carretera.

Su sistema de control de emisiones puede incluir piezas como el carburador y el sistema de inyección de combustible, el sistema de encendido y el convertidor del catalizador. También se pueden incluir mangueras, correas, conectores y otros conjuntos relacionados con la emisión.

Donde existan las condiciones de garantía, MTD reparará su pequeño motor para uso fuera de la carretera sin costo alguno para usted incluyendo el diagnóstico, las piezas y la mano de obra.

Los pequeños motores para uso fuera de la carretera del 2005 y posteriores, se garantizan por dos años. Si alguna pieza de su motor relacionada con la emisión está defectuosa, la pieza será reparada o reemplazada por MTD.

Responsabilidades de Garantía de los Propietarios

Como propietario del pequeño motor para uso fuera de la carretera, usted es responsable de realizar el mantenimiento requerido que aparece en el manual del operador. MTD recomienda que conserve todos los comprobantes que cubren el mantenimiento de su pequeño motor para uso fuera de la carretera, pero MTD no puede negar garantía exclusivamente por la falta de comprobantes o por que usted no haya realizado todos los mantenimientos programados.

Como propietario del pequeño motor para uso fuera de la carretera, usted debe conocer que MTD puede negarle cobertura de garantía si su pequeño motor para uso fuera de la carretera o una pieza ha fallado debido a abuso, negligencia, mantenimiento inadecuado o modificaciones no aprobadas.

Usted es responsable de presentar su pequeño motor para uso fuera de la carretera a un Centro de Servicio Autorizado MTD tan pronto como exista un problema. Las reparaciones de garantía deben completarse en un período de tiempo razonable, el cual no deberá ser mayor de 30 días.

Si tiene alguna pregunta relacionada con los derechos y responsabilidades de la garantía, debe llamar al **1-800-345-8746**.

Cobertura de Garantía del Fabricante

El período de garantía comienza en la fecha en que el motor o equipo se entrega al comprador minorista.

El fabricante garantiza al propietario original y a cada comprador subsiguiente, que el motor está libre de defectos en cuanto a material y mano de obra que ocasionen la falla de una pieza bajo garantía durante un período de dos años.

La reparación o reemplazo de una pieza bajo garantía se llevará a cabo sin cargo alguno para el propietario en un Centro de Servicio MTD Autorizado. Para conocer el establecimiento más cercano, comuníquese con MTD llamando al: **1-800-345-8746**.

Cualquier pieza bajo garantía que no esté programada para ser reemplazada, según indica el mantenimiento requerido o que esté programada solamente para inspección regular a los efectos de "Repare o Reemplace según sea Necesario" está garantizada durante el período de garantía. Cualquier pieza bajo garantía que esté programada para ser reemplazada según indica el mantenimiento requerido tendrá garantía durante el período de tiempo hasta el primer punto de reemplazo programado para dicha pieza.

No se le cobrará al propietario la mano de obra de diagnóstico que conlleve a la determinación de que una pieza bajo garantía está defectuosa, si dicho trabajo de diagnóstico se lleva a cabo en un Centro de Servicio MTD Autorizado.

El fabricante es responsable de los daños ocasionados a otros componentes del motor producidos por la falla de una pieza bajo garantía que todavía esté bajo garantía.

Las fallas ocasionadas por abuso, negligencia o mantenimiento inadecuado no están cubiertas por la garantía.

El uso de accesorios optativos o piezas modificadas puede ser motivo justificado para no aceptar una reclamación de garantía. El fabricante no es responsable de cubrir fallas de piezas bajo garantía ocasionadas por el uso de accesorios optativos o piezas modificadas.

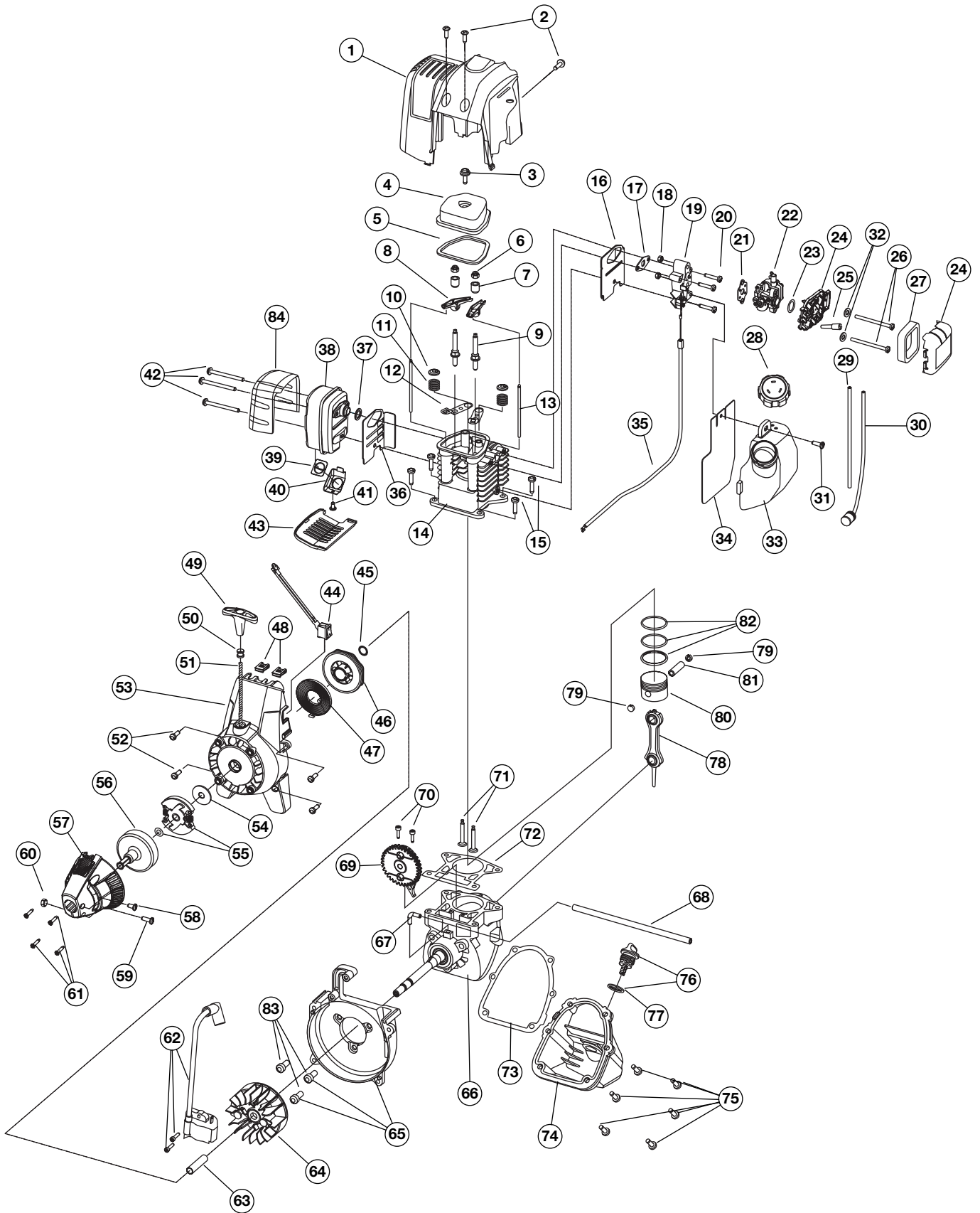
Para presentar una reclamación, vaya a su Centro de Servicio MTD Autorizado más cercano. Los servicios o reparación por motivo de garantía se realizarán en todos los Centros de Servicio MTD Autorizados.

Cualquier pieza de reemplazo aprobada por el fabricante puede ser utilizada para llevar a cabo el mantenimiento o la reparación de garantía de piezas relacionadas con la emisión y se realizará sin cargo alguno para el propietario. Cualquier pieza de reemplazo que sea equivalente en rendimiento o durabilidad puede ser utilizada en el mantenimiento o reparación sin garantía y no reducirá las obligaciones de garantía del fabricante.

Los componentes siguientes se incluyen en la garantía relacionada con emisiones del motor, filtro de aire, carburador, cebador, líneas de combustible, toma de combustible, filtro de combustible, módulo de encendido, bujía de encendido y silenciador.

PARTS LIST

ENGINE PARTS - Y26SS
4-CYCLE GAS TRIMMER



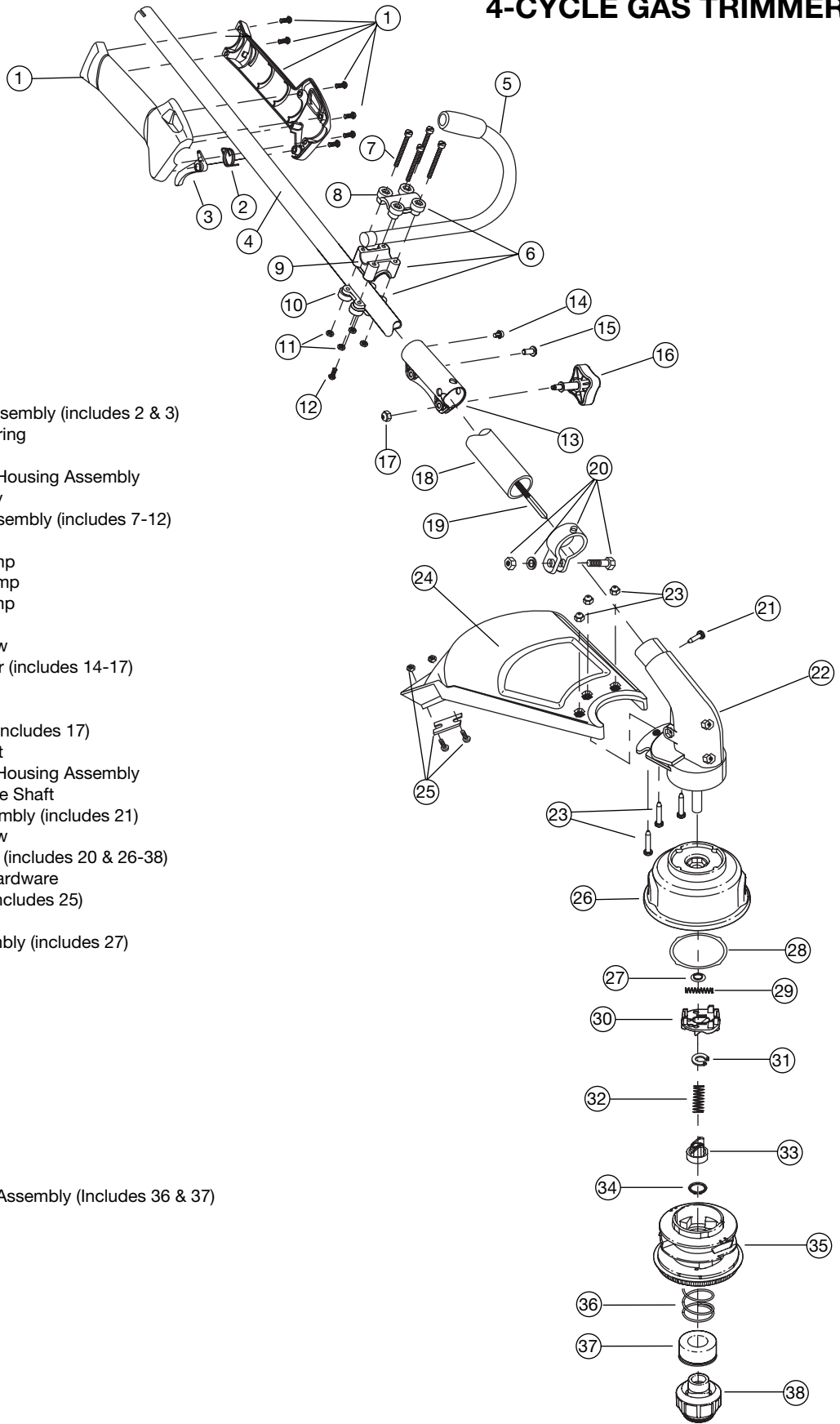
PARTS LIST

ENGINE PARTS - Y26SS 4-CYCLE GAS TRIMMER

Item	Part No.	Description	Item	Part No.	Description
1	753-04083	Engine Cover	45	753-04288	Pulley Retainer
2	753-04994	Engine Cover Screws	46	753-1199	Recoil Pulley
3	791-181025	Valve Cover Screw	47	753-04286	Recoil Spring
4	791-182098	Valve Cover	48	791-182366	Nut Clip
5	791-182099	Valve Cover Gasket	49	791-181079	Pull Handle
6	791-182340	Rocker Adjustment Nut	50	791-611061	Rope Guide
7	791-182101	Rocker Arm Pivot	51	791-613103	Rope
8	791-182100	Rocker Arm	52	791-181020	Starter Housing Screw
9	791-182341	Rocker Arm Stud	53	753-1237	Starter Housing Assembly (includes 45-52)
10	791-182103	Valve Spring Retainer	54	791-182396	Clutch Washer
11	791-181038	Valve Spring	55	753-1238	Clutch with Spacer
12	791-182102	Push Rod Guide	56	791-153592	Clutch Drum
13	791-181033	Push Rod	57	753-1239	Clutch Cover
14	753-04816	Cylinder Assembly (includes 9, 12, 15, 71 & 72)	58	791-145569	Anti-Rotation Screw
15	791-181003	Cylinder Screw	59	753-1240	Screw
16	791-182345	Intake Baffle	60	753-1241	Nut
17	791-182749	Carburetor Mount Gasket	61	791-181345	Clutch Cover Screw
18	791-181034	Nut	62	791-182725	Ignition Module Assembly
19	791-182347	Carburetor Mount (includes 18)	63	791-181065	Spacer
20	791-182348	Carburetor Mount Screw	64	791-182736	Flywheel
21	791-182732	Carburetor Gasket	65	791-182743	Shroud Assembly (includes 83)
22	753-1225	Carburetor with Primer	66	791-182376	Crankcase Assembly (includes 67 & 68)
23	791-181751	O-Ring, Carburetor	67	791-182375	Breather Fitting
24	791-182350	Air Filter Assembly (includes 27)	68	791-182379	Breather Hose
25	791-182097	Breather Tube	69	753-04919	Cam Bracket Assembly
26	791-181750	Air Filter Mounting Screw	70	791-181012	Cam Bracket Screw
27	791-181757	Air Filter	71	791-181040	Valves, Intake and Exhaust
28	753-04084	Fuel Cap	72	791-182374	Cylinder Gasket
29	791-182352	Fuel Return Line	73	791-181018	Oil Pan Gasket
30	791-182353	Fuel Pick-Up Line with Filter	74	791-182377	Oil Pan (includes 73 & 75)
31	753-04510	Screw	75	791-181020	Oil Pan Screw
32	791-182409	Washer	76	753-04041	Dipstick Assembly (includes 77)
33	791-182355	Fuel Tank Assembly (includes 28-30)	77	791-182290	O-Ring
34	791-182356	Fuel Tank Shield	78	791-181009	Connecting Rod
35	753-1231	Throttle Cable	79	791-181008	Wrist Pin Button
36	791-182358	Muffler Baffle	80	753-04878	Piston
37	791-181048	Muffler Gasket	81	753-05176	Wrist Pin
38	791-182359	Muffler (includes 37, 39-41)	82	753-04801	Piston Ring Set
39	791-180890	Spark Arrestor Screen	83	791-181861	Shroud Screw
40	791-181045	Screen Cover	84	791-182360	Heat Shield
41	791-181046	Screw	*	791-180852B	Spark Plug
42	791-182361	Muffler Mounting Screw	*	753-04087	Short Block Assembly (includes 3-14, 65-82)
43	753-04092	Muffler Cover			
44	791-182365	Switch Assembly	*		Parts not shown

PARTS LIST

**BOOM AND TRIMMER PARTS - Y26SS
4-CYCLE GAS TRIMMER**



Item	Part No.	Description
1	753-04114	Throttle Housing Assembly (includes 2 & 3)
2	791-610314	Throttle Trigger Spring
3	753-04115	Throttle Trigger
4	753-04344	Upper Drive Shaft Housing Assembly
5	791-180687	J-Handle Assembly
6	791-683295	Handle Bracket Assembly (includes 7-12)
7	791-181811	Screw
8	791-181812	Upper Handle Clamp
9	791-181813	Middle Handle Clamp
10	791-181814	Lower Handle Clamp
11	791-181815	Nut
12	791-145569	Anti-Rotation Screw
13	791-181616B	Split Boom Coupler (includes 14-17)
14	791-182057	Screw
15	791-181617	Bolt
16	791-181618B	Adjustment Knob (Includes 17)
17	753-04386	Knob Retaining Nut
18	753-04089	Lower Drive Shaft Housing Assembly
19	753-05182	Lower Flexible Drive Shaft
20	791-153597	Lower Clamp Assembly (includes 21)
21	791-145569	Anti-Rotation Screw
22	753-05188	Gearbox Assembly (includes 20 & 26-38)
23	791-180547	Shield Mounting Hardware
24	791-180548	Shield Assembly (includes 25)
25	791-180553	Blade Assembly
26	791-181457	Outer Spool Assembly (includes 27)
27	791-181458	Retainer
28	791-181561	Thrust Washer
29	791-181459	Small Spring
30	753-04257	Slider
31	791-181532	E-Clip
32	791-181531	Spring
33	791-181462	Plunger
34	791-181463	C-Clip
35	791-181464	Inner Reel
36	791-181465B	Large Spring
37	791-181467	Foam Seal
38	791-181468B	Bump Head Knob Assembly (Includes 36 & 37)

GARANTÍA LIMITADA DEL FABRICANTE PARA:



La garantía limitada establecida a continuación es dada por MTD LLC ("MTD") con respecto a mercancía nueva que sea comprada y usada en los Estados Unidos, sus posesiones y territorios.

MTD garantiza este producto contra defectos en el material y la mano de obra durante un período de dos (2) años, a partir de la fecha de compra original y a su entera opción, arreglará o substituirá, sin costo alguno, cualquier pieza cuyo material o mano de obra se considere defectuoso. Esta garantía limitada se deberá aplicar únicamente si este producto ha sido manejado y mantenido de acuerdo al Manual del Operador incluido con el producto y, si no ha sido sometido a mal uso, abuso, uso comercial, accidente, mantenimiento inapropiado, alteración, vandalismo, hurto, fuego, agua o daños debidos a otros riesgos o desastre natural. Los daños ocasionados por la instalación o el uso de cualquier accesorio o aditamento que no esté aprobado por MTD para que sea usado con el (los) producto(s) contemplados en este manual, anularán la garantía con respecto a cualquier daño resultante. Esta garantía está limitada a noventa (90) días a partir de la fecha de compra original de cualquier producto MTD que se use para alquiler o para propósitos comerciales, o cualquier otro propósito que genere ingreso.

CÓMO OBTENER SERVICIO: El servicio de garantía se encuentra disponible A TRAVÉS DE SU DISTRIBUIDOR LOCAL AUTORIZADO, AL PRESENTAR UN COMPROBANTE DE COMPRA. Para ubicar al distribuidor de su área, por favor consulte las Páginas Amarillas o contacte al Departamento de Servicio al Consumidor de MTD llame al **1-800-345-8746** o, escriba a P.O. Box 361131, Cleveland OH 44136-0019. Si está en Canadá, llame al **1-800-668-1238**. No se aceptará ningún producto que sea enviado directamente a la fábrica, a menos que haya recibido autorización previa por escrito por parte del Departamento de Servicio al Consumidor de MTD.

Esta garantía limitada no ofrece cobertura en los siguientes casos:

- A. Sincronizaciones — Bujías, ajustes de carburadores, filtros.
- B. Artículos de desgaste — Botón de tope, carretes externos, línea de corte, carretes internos, polea de arranque, cuerdas de arranque, correas motoras.
- C. MTD no le ofrece ninguna garantía a productos que sean vendidos o exportados fuera de los Estados Unidos de Norteamérica, sus posesiones y territorios, excepto aquellos que se vendan a través de los canales de distribución para exportación autorizados por MTD.

MTD se reserva el derecho a cambiar o mejorar el diseño de cualquier producto MTD, sin asumir ninguna obligación para modificar ningún producto fabricado con anterioridad.

Ninguna garantía implícita es aplicable, incluyendo cualquier garantía implícita de comerciabilidad o idoneidad para un propósito particular, después del período de la garantía expresa escrita con anterioridad, con respecto a las piezas identificadas. Ninguna otra garantía expresa dada por cualquier persona o entidad, incluyendo a los distribuidores o minoristas, bien sea escrita u oral, deberá comprometer a MTD con respecto a cualquier producto. Durante el período de la Garantía, la solución exclusiva es arreglar o cambiar el producto de la manera establecida anteriormente. (Algunos estados no permiten limitaciones en cuanto al período de duración de una garantía implícita, de manera que puede que la limitación anterior no sea aplicable para usted.)

Las estipulaciones establecidas en esta Garantía ofrecen la solución única y exclusiva que resulte de las ventas. MTD no deberá ser responsable de pérdidas o daños incidentales o consecuentes que incluyen, sin limitación, erogación de gastos debido a la sustitución de servicios de mantenimiento de prados, transporte o gastos relacionados, o gastos de alquiler para reemplazar temporalmente un producto bajo garantía. (Algunos estados no permiten limitaciones en cuanto al período de duración de una garantía implícita, de manera que puede que la limitación anterior no sea aplicable para usted.)

La recuperación de cualquier tipo no deberá ser superior al precio de compra del producto vendido en ningún caso. La alteración de las características de seguridad del producto deberá anular la garantía. Usted asume el riesgo y la obligación de la pérdida, daño o lesión en su persona o a su propiedad y / o la de otras personas y sus propiedades, que se origine a raíz del uso o mal uso, o la falta de capacidad para usar el producto.

Esta garantía limitada no deberá cubrir a ninguna otra persona distinta al comprador original, arrendatario original, o la persona para la que se compró en calidad de regalo.

Relación de las leyes estatales con esta Garantía: Esta garantía le confiere derechos legales específicos, y puede que usted también tenga otros derechos, los cuales varían en cada estado.

Para ubicar a su distribuidor de servicio más cercano, llame al **1-800-345-8746** en los Estados Unidos o al **1-800-668-1238** en Canadá.

MTD LLC

P.O. Box 361131
Cleveland, OH 44136-0019